



Privacy Re - inspired
FENCE INSTALLATION GUIDE

The Materials

Novano is extremely resistant to outdoor/interior influences and is 100% recyclable.

Novano really looks like premium wood. Our product is distinguished by its unique structure making it very solid. Its permeability makes it resistant to decay and all-weather conditions. Unlike wood, Novano does not grey and its color fades minimally.

Once installed, your terrace will require a minimum of maintenance for a maximum of years, it is a real ecological alternative to tropical wood products.

Its use is mainly recommended outdoors for a terrace, around a swimming pool or a jacuzzi, etc. - where thermal and environmental constraints are extreme.

Novano Materials Strengths

Product Properties

- UV resistant
- Weather resistant
- Resistance to chlorine
- Resistance to insects and fungi / mold

Surface Quality

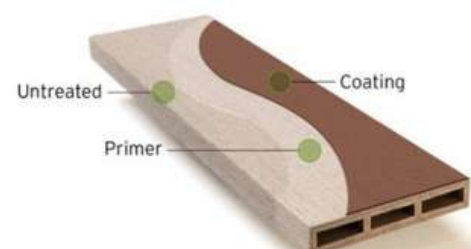
- Texture identical to wood
- No splinters
- 30 color to choose from

Installation




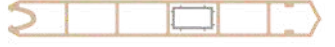












- Easy installation
- Complete system components
- Easy to refresh color

Durability

- Will not rot
- 100% recyclable
- Easy maintenance



Scope of Delivery

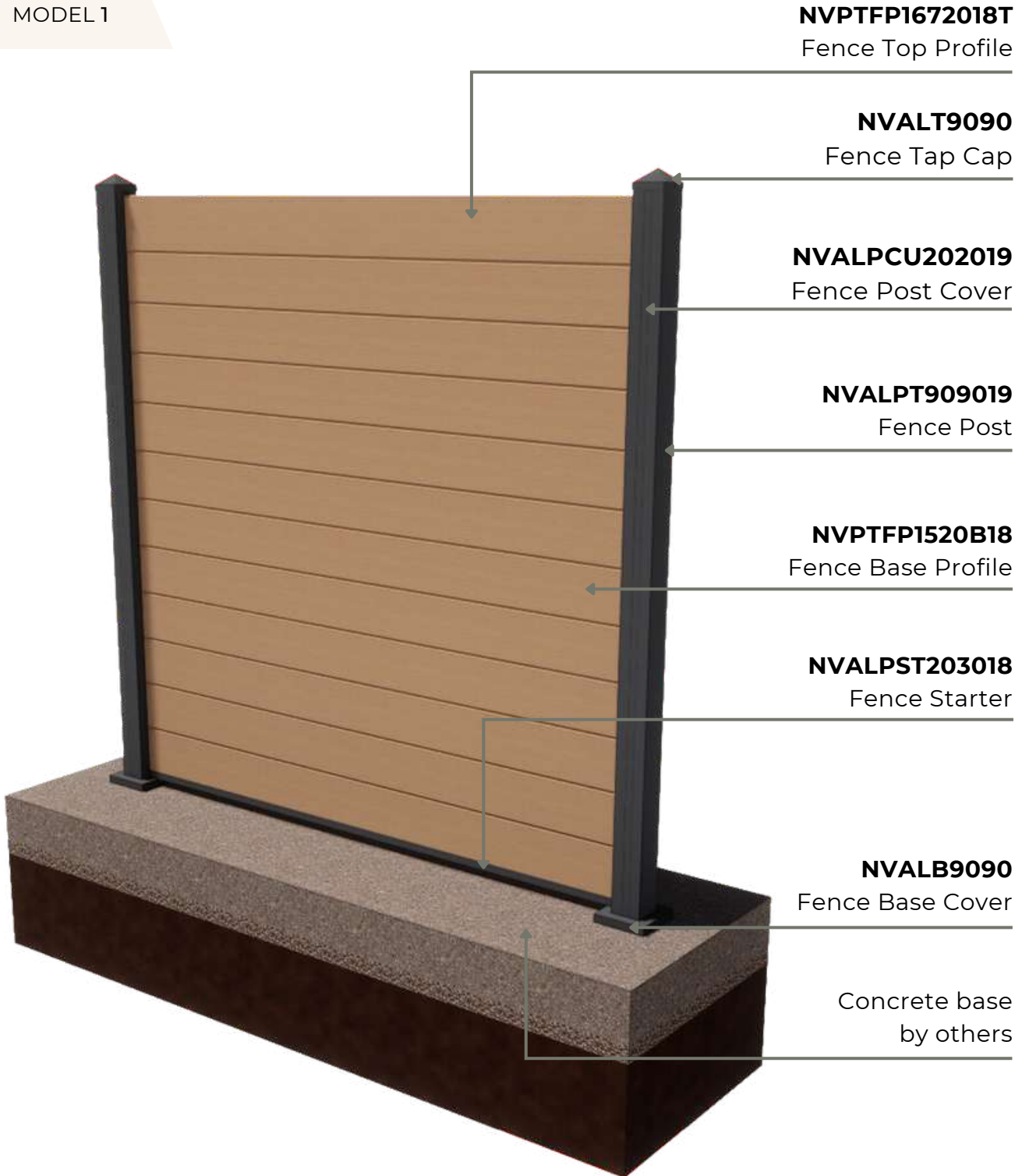
NO.	PRODUCT NAME AND SPECIFICATION	ISOMETRIC VIEW	SECTION VIEW
1	NVPTFP1520B18 (20mm x 150mm x 1850mm) Fence Base Profile with Aluminum Insert		
2	NVPTFP1672018T (20mm x 167mm x 1850mm) Fence Top Profile with Aluminum Insert		
3	NVALT9090 (90mm x 90mm) Fence Top Cap		
4	NVALPT909019 (90mm x 90mm x 1900mm) Fence Post		
5	NVALPCU202019 (20mm x 20mm x 1900mm) Fence Post Cover		
6	NVALPST203018 (20mm x 30mm x 1850mm) Fence Starter		
7	NVPOBASE140 (600mm x 150mm x 150mm) Fence Post Bearer		
8	NVALB9090 (150mm x 150mm) Fence Base Cover		

NOTE: To view a complete list of products, please refer to our Novano brochure or visit our website www.novano-resysta.de

Fence System

MODEL 1

FENCE
MODEL 1



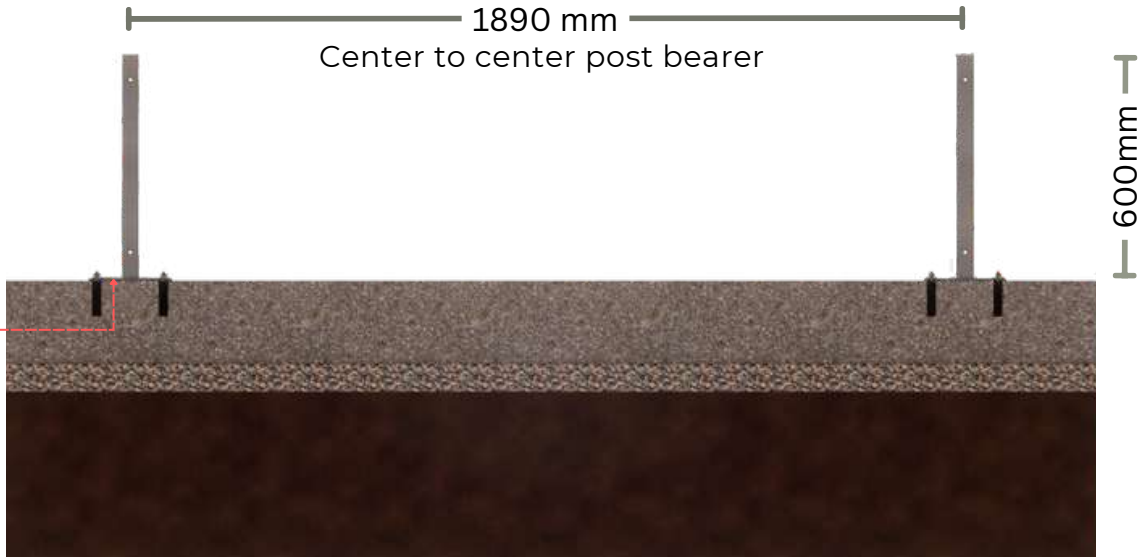
ISOMETRIC VIEW

1

FENCE
MODEL 1

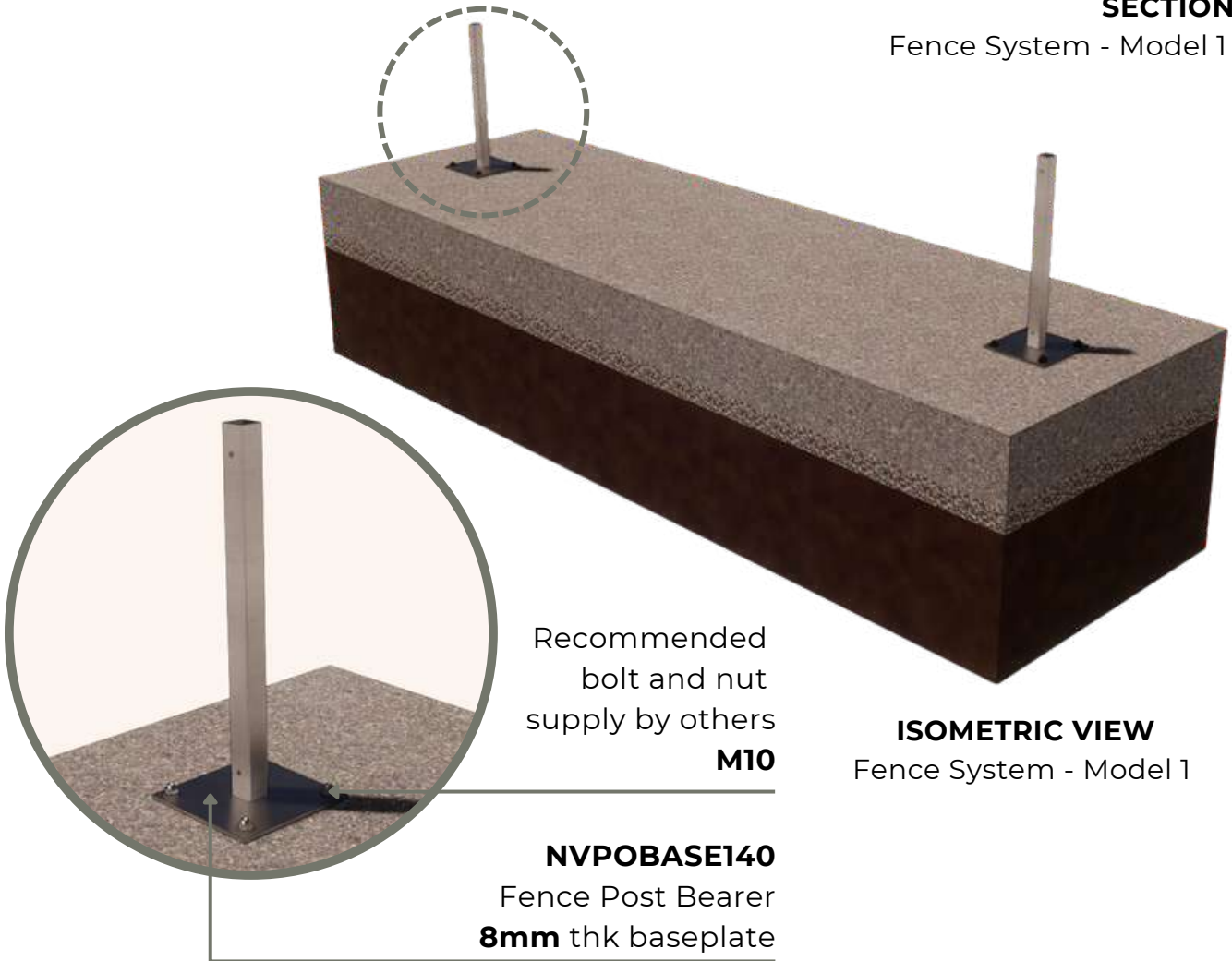
Check the floor level and fence design or layout. Install the fence post bearer NVPOBASE140 on the concrete base using a recommended bolt of M10 with a washer within the distance of 1890mm on the center of each post bearer.

8mm thk
baseplate



SECTION

Fence System - Model 1



ISOMETRIC VIEW

Fence System - Model 1

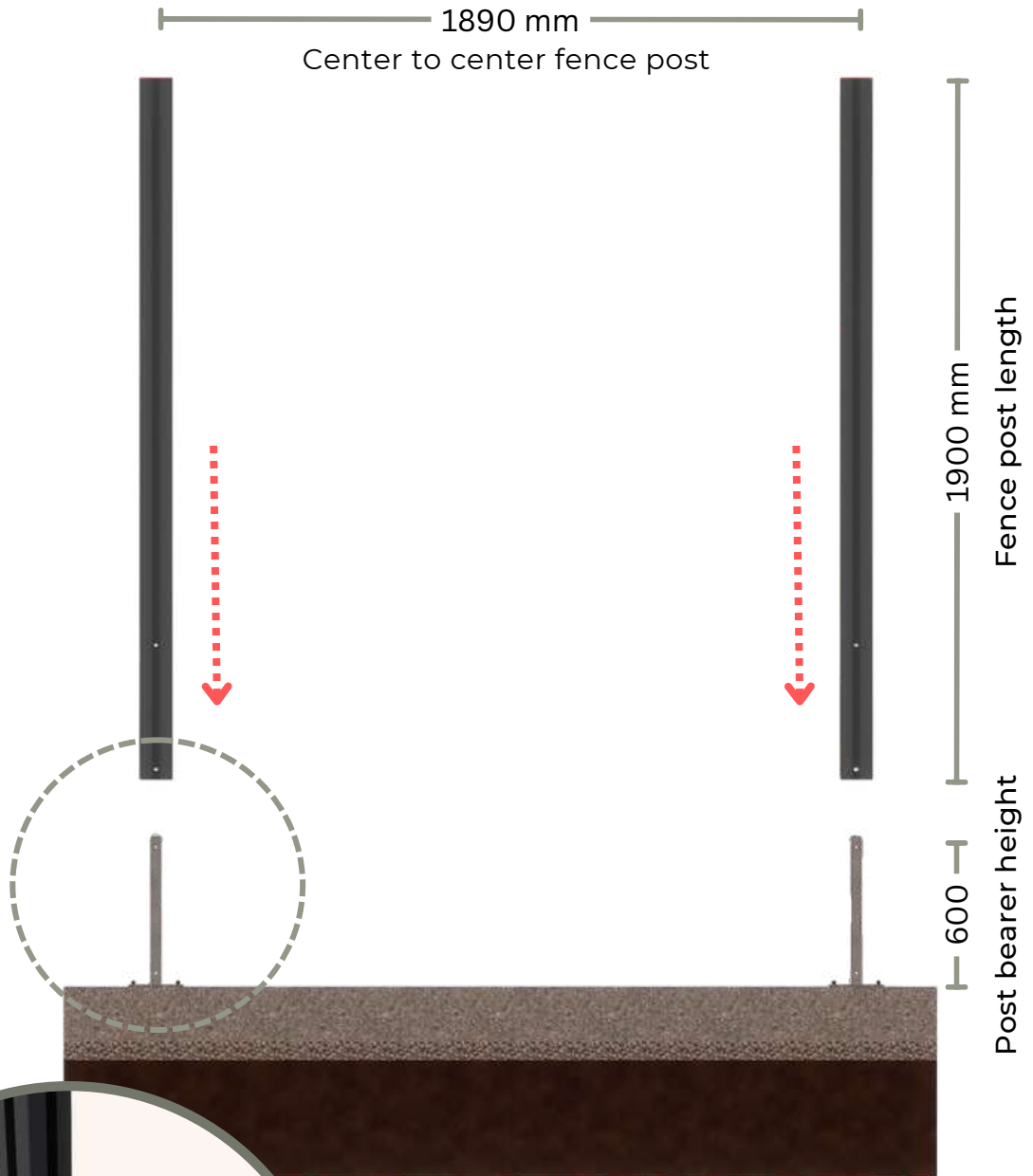
ISOMETRIC DETAIL

Fence System - Model 1

Insert fence post NVALPT909019 into fence post bearer NVPOBASE140.

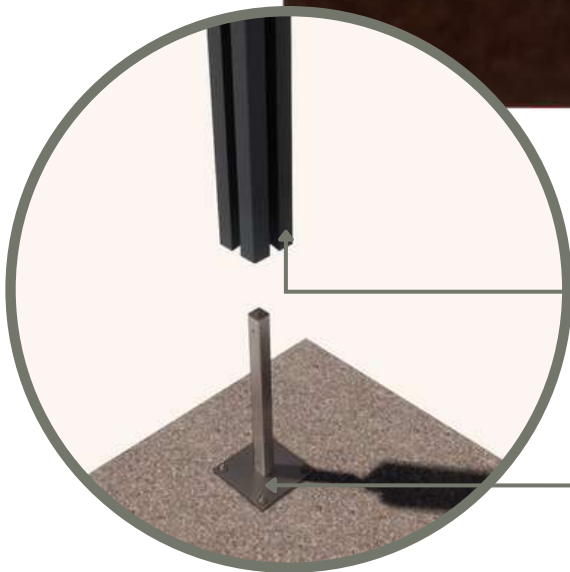
2

FENCE
MODEL 1



SECTION

Fence System - Model 1



ISOMETRIC DETAIL

Fence System - Model 1

NVALPT909019

Fence Post

NVPOBASE140

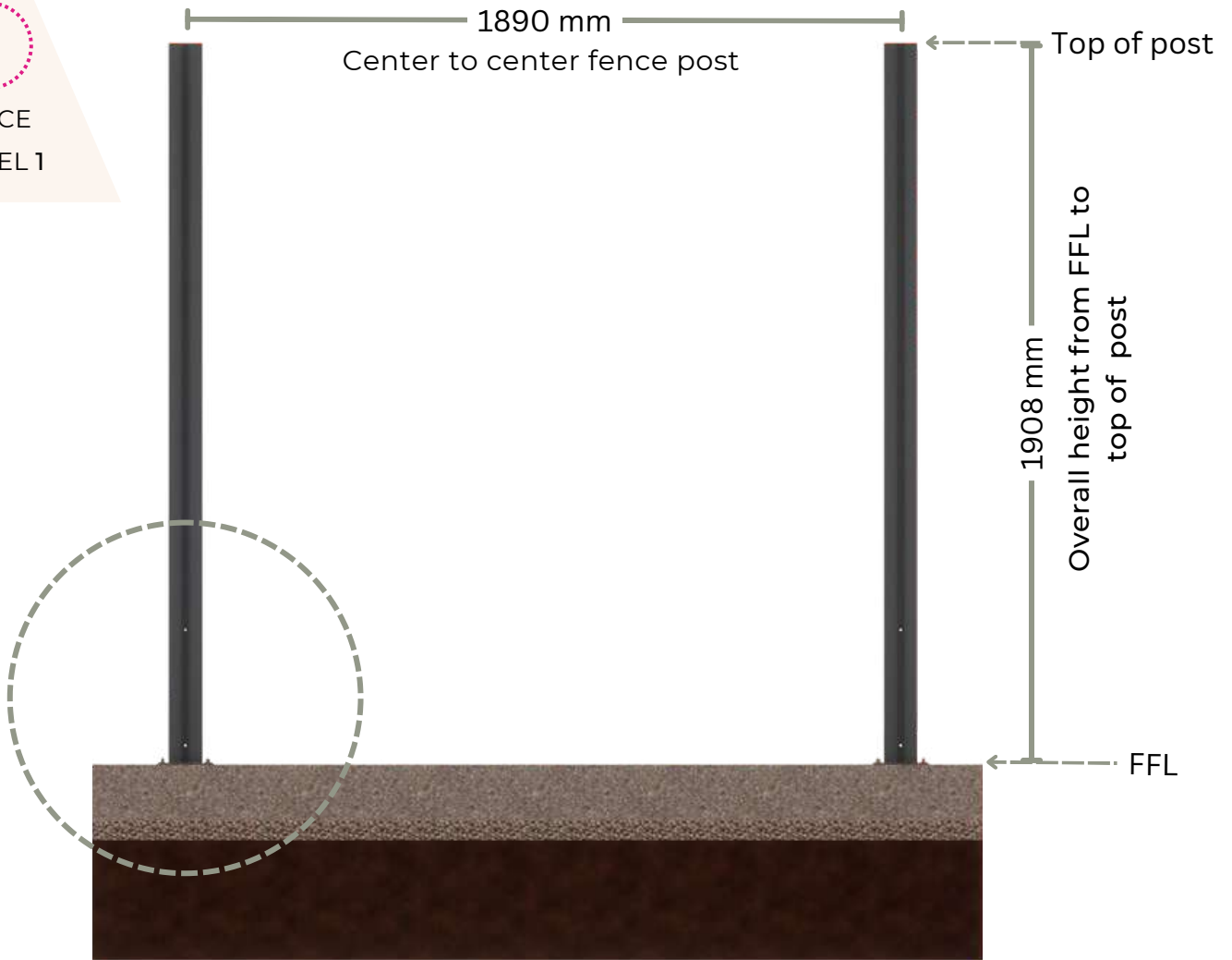
Fence Post Bearer

GUIDE

3

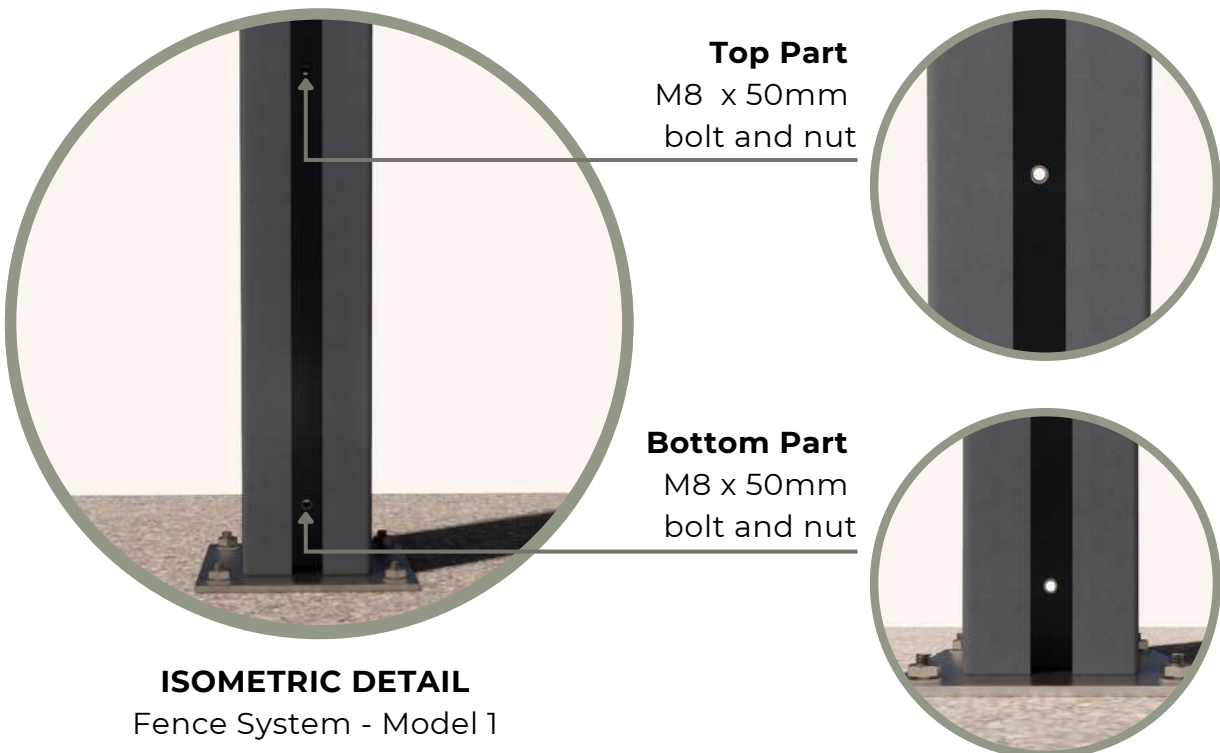
FENCE
MODEL 1

Make sure that the fence post NVALPT909019 and fence post bearer NVPOBASE140 top and bottom holes are both aligned with each other.



ELEVATION

Fence System - Model 1



ISOMETRIC DETAIL

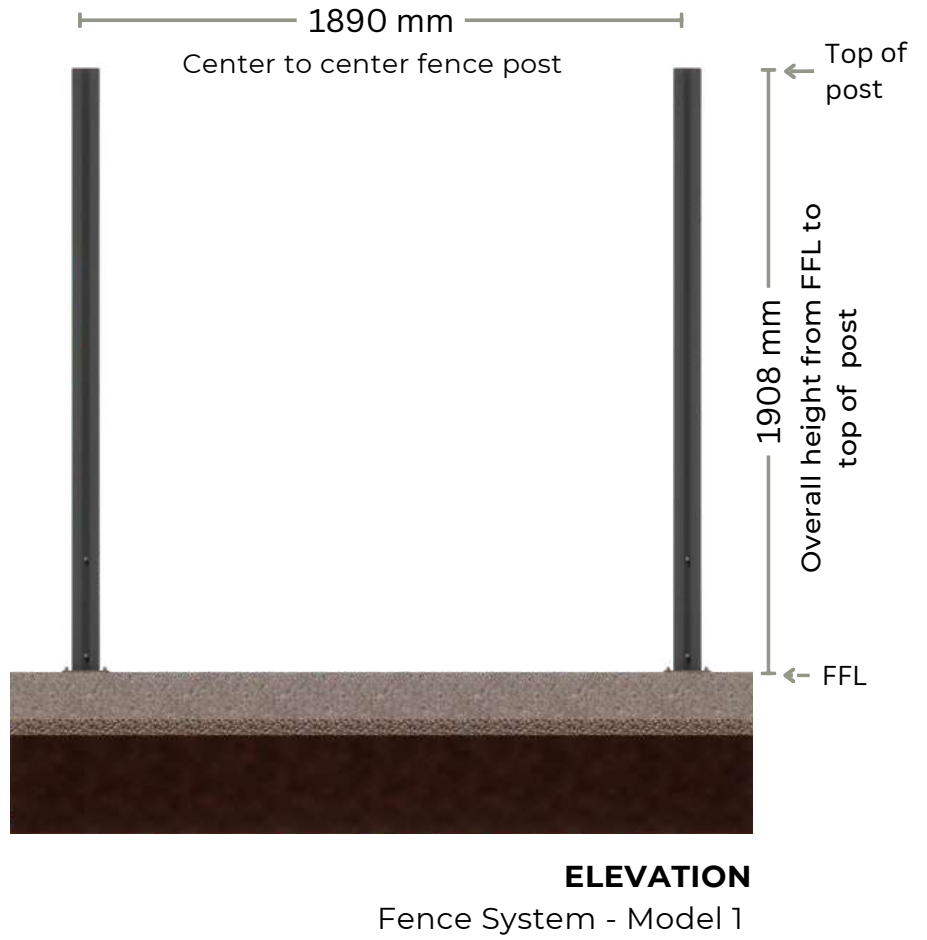
Fence System - Model 1

GUIDE

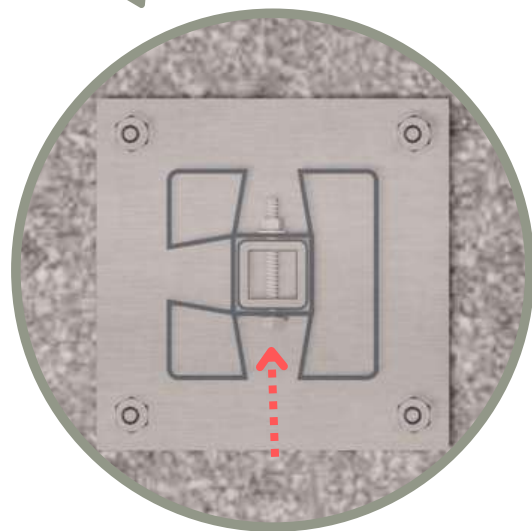
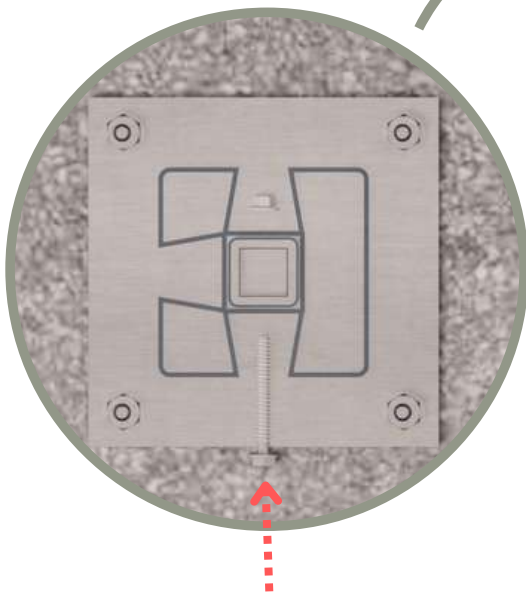
Install the fence post NVALPT909019 and fence post bearer NVPOBASE140 using M8 X 50mm bolt and nut on the top and bottom holes passing thru the other side of the post fence groove.

4

FENCE
MODEL 1



ISOMETRIC DETAIL
Fence System - Model 1



TOP VIEW - SECTION A
Fence System - Model 1

TOP VIEW - SECTION B
Fence System - Model 1

GUIDE

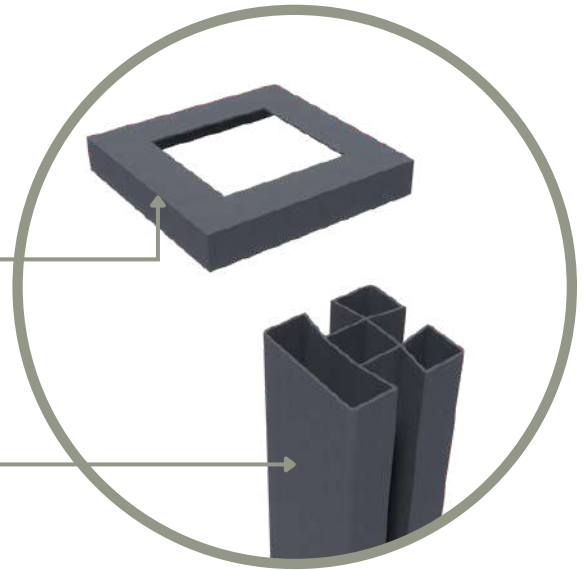
5

FENCE
MODEL 1

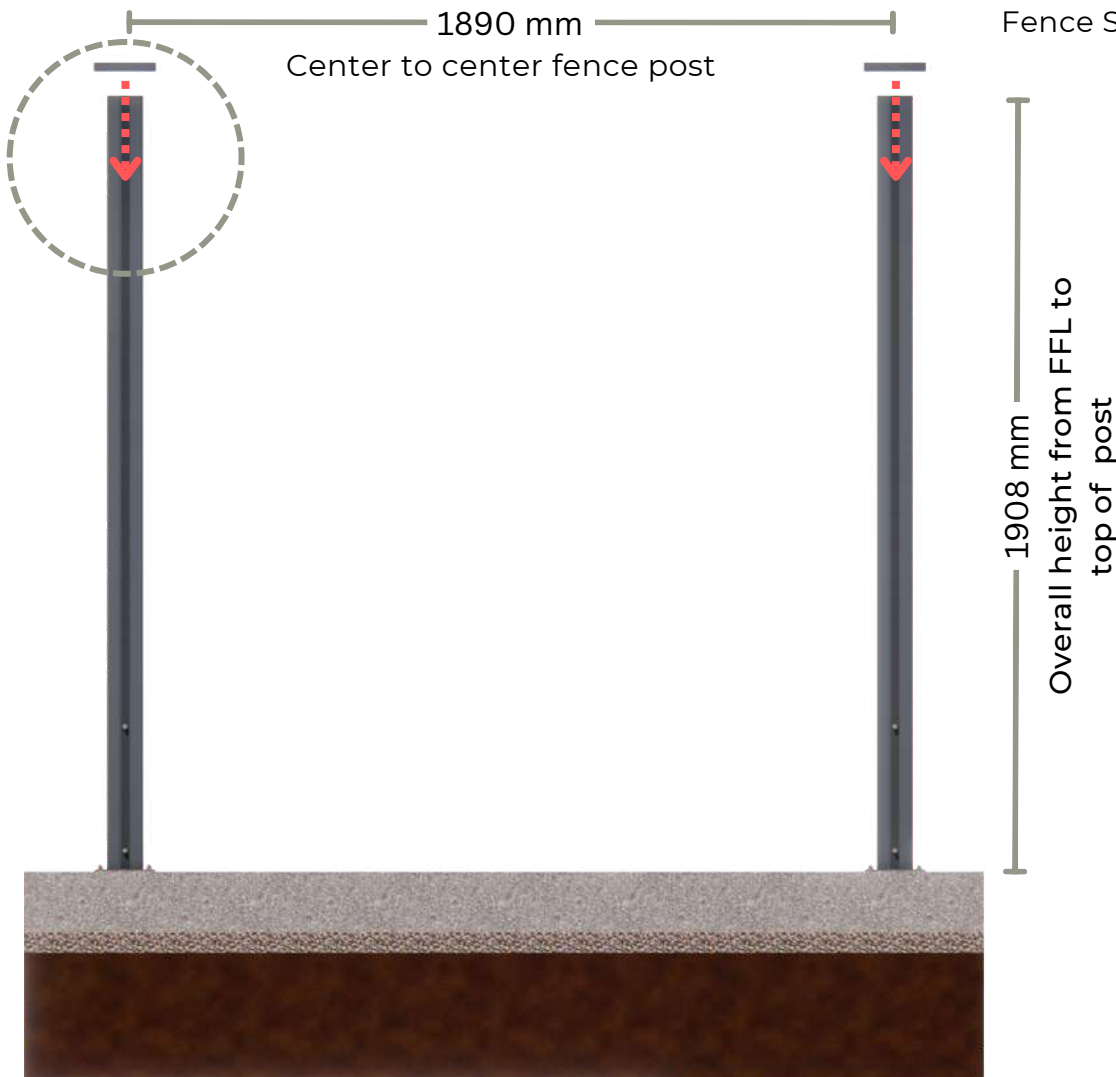
Insert the aluminum-based cover in each fence post NVALPT909019 until reaches the floor finish. This will serve as the starter fence spacer on the floor finish. This will serve also as a cover to protect the fence post bearer NVPOBASE140.

NVALB9090
Fence Base Cover

NVALPT909019
Fence Post



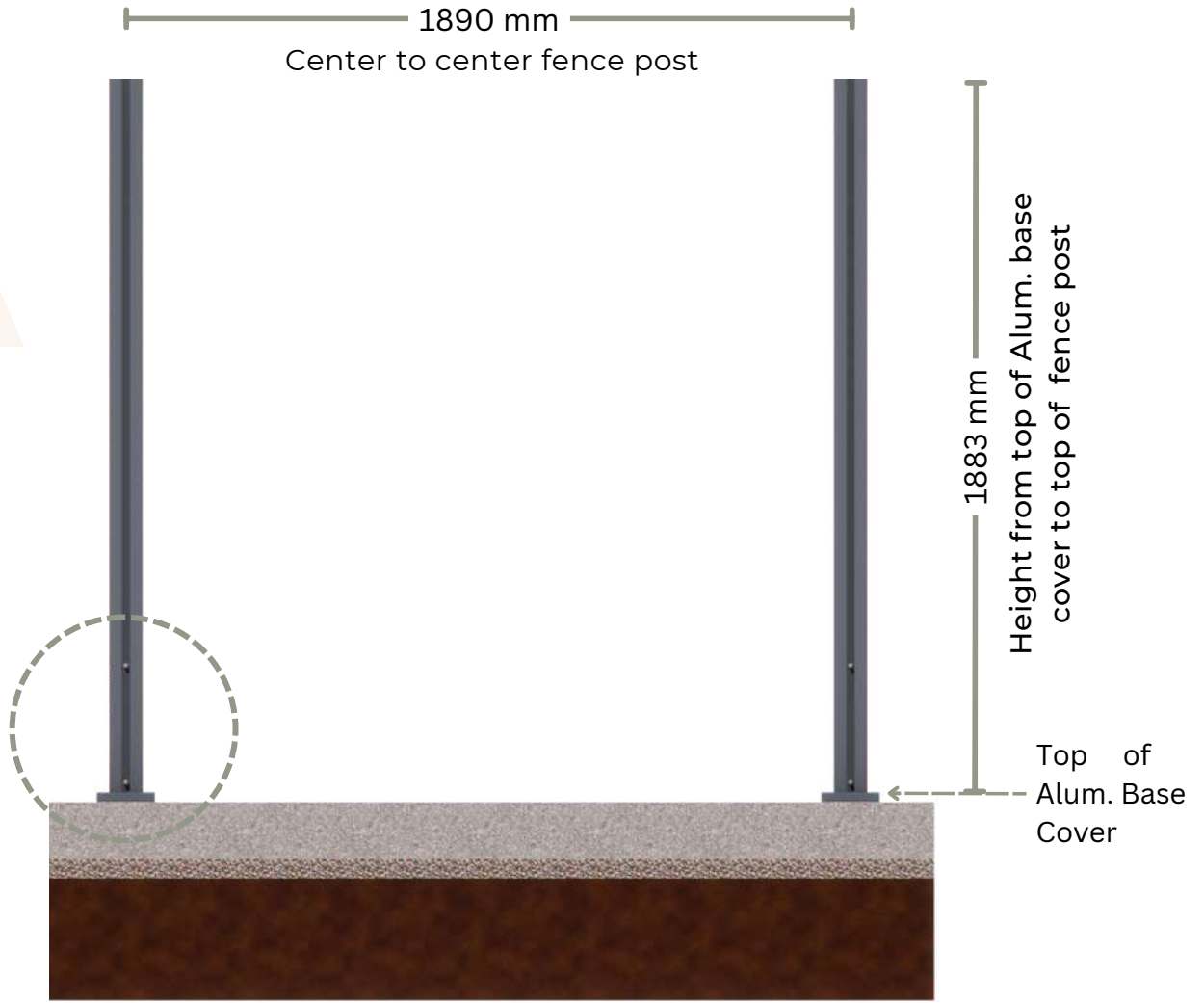
ISOMETRIC DETAIL
Fence System - Model 1



ELEVATION
Fence System - Model 1

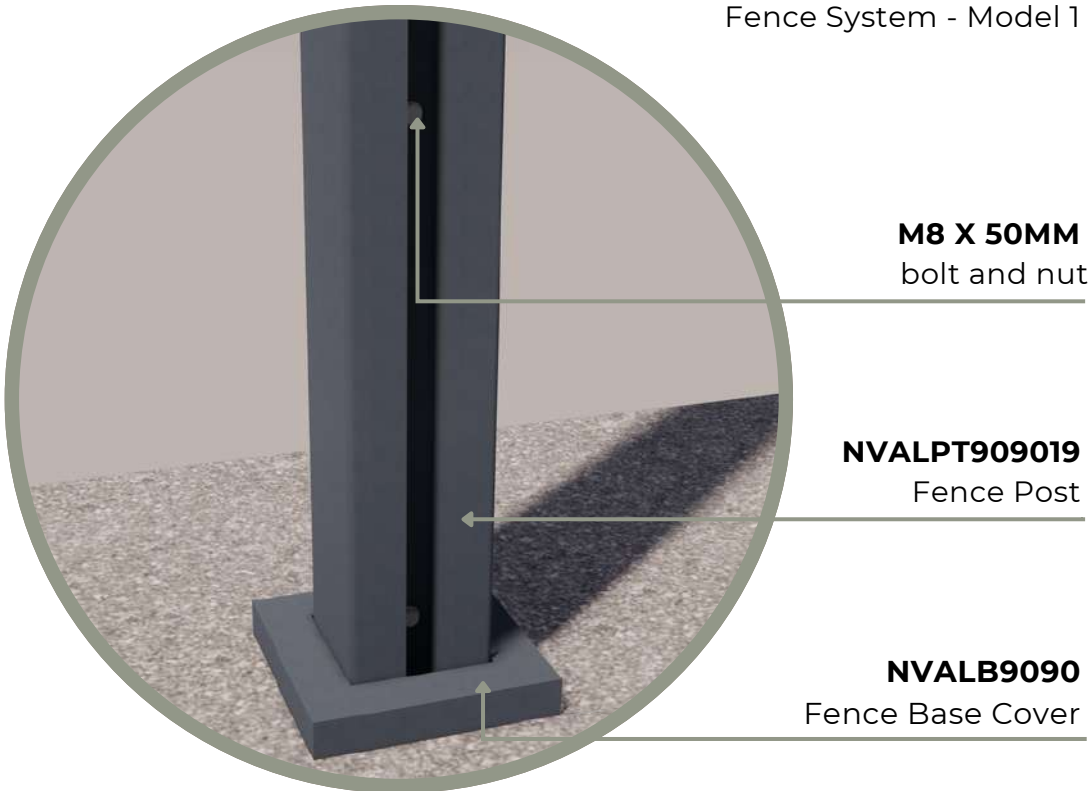
5

FENCE
MODEL 1



ELEVATION

Fence System - Model 1



ISOMETRIC DETAIL

Fence System - Model 1

GUIDE

6

FENCE
MODEL 1

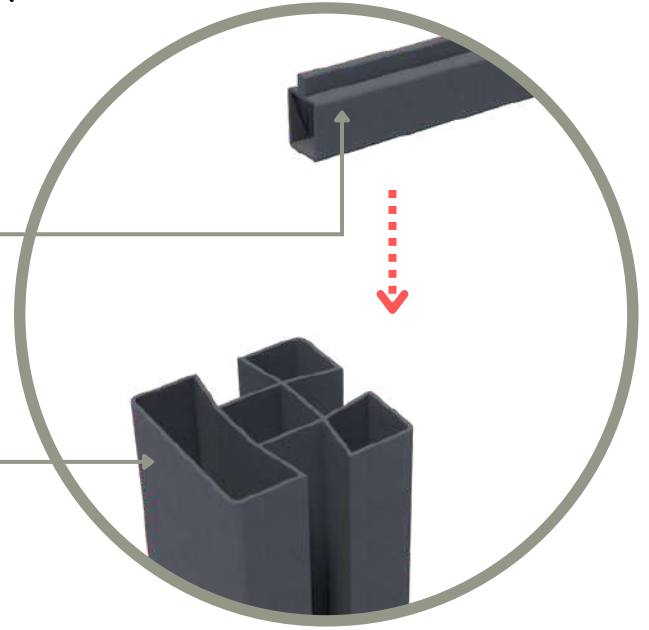
To install the fence starter NVALPST203018 slide it down inside the groove of the fence post NVALPT909019 until the aluminum base cover.

NVALPST203018

Fence Starter

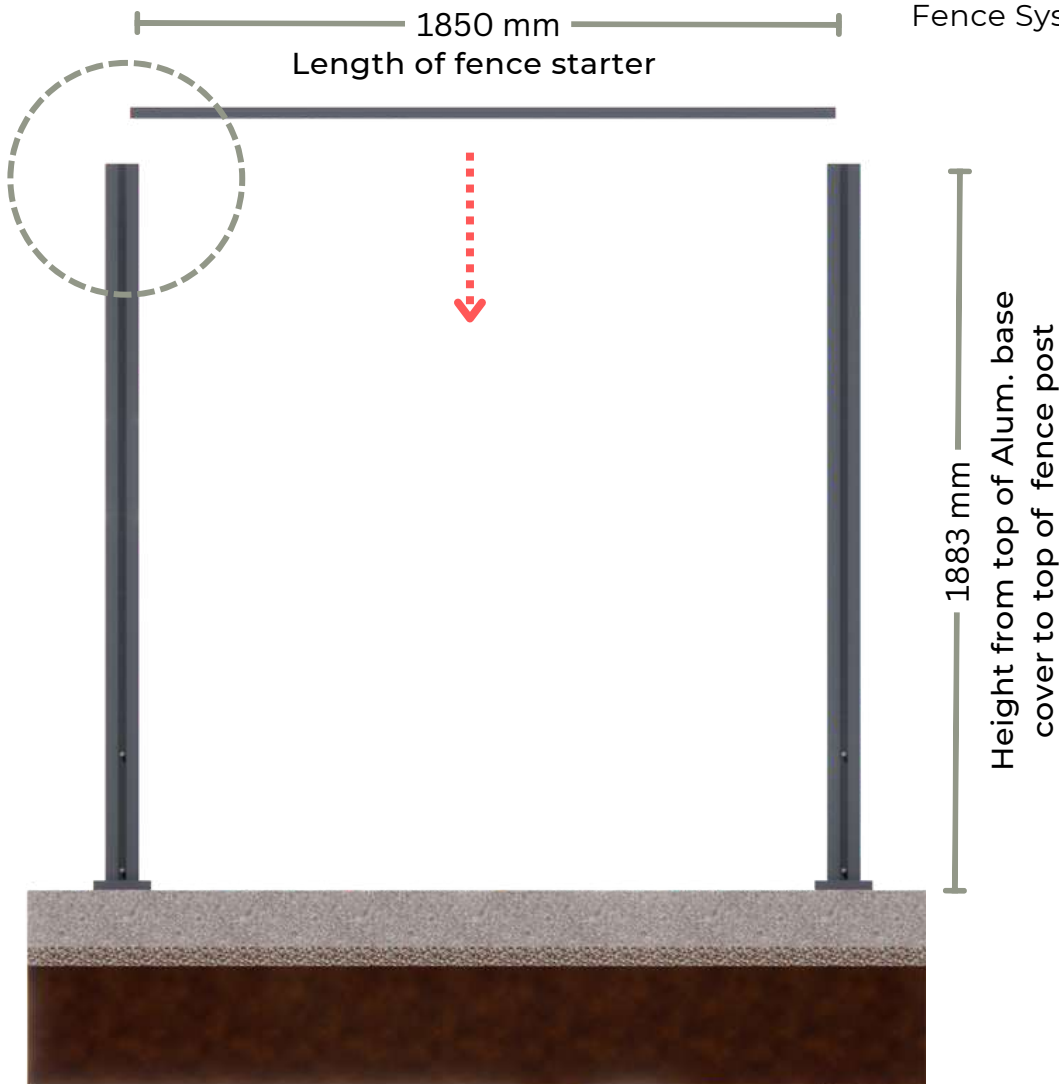
NVALPT909019

Fence Post



ISOMETRIC DETAIL

Fence System - Model 1



1850 mm
Length of fence starter

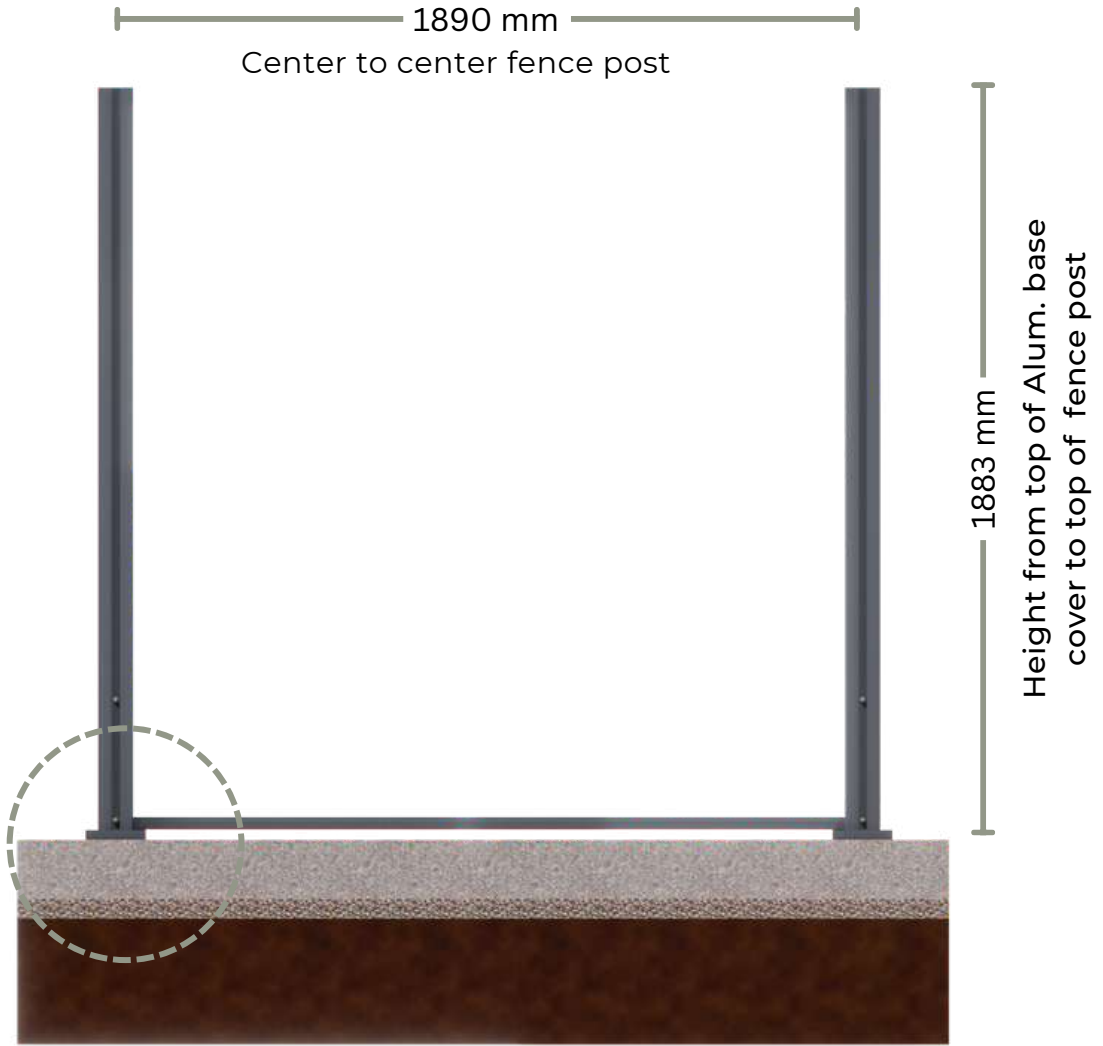
1883 mm
Height from top of Alum. base
cover to top of fence post

ELEVATION

Fence System - Model 1

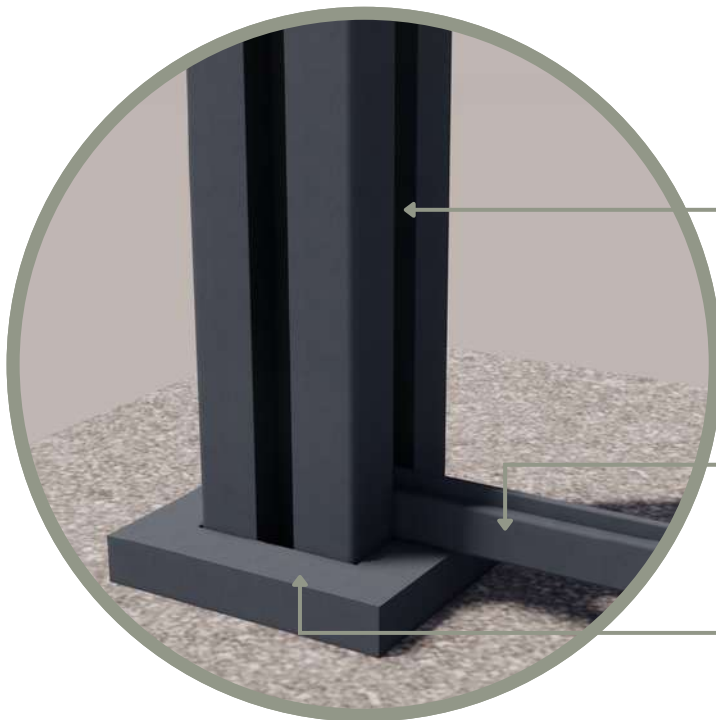
6

FENCE
MODEL 1



ELEVATION

Fence System - Model 1



NVALPT909019
Fence Post

NVALPST203018
Fence Starter

NVALB9090
Fence Base Cover

ISOMETRIC DETAIL

Fence System - Model 1

GUIDE

7

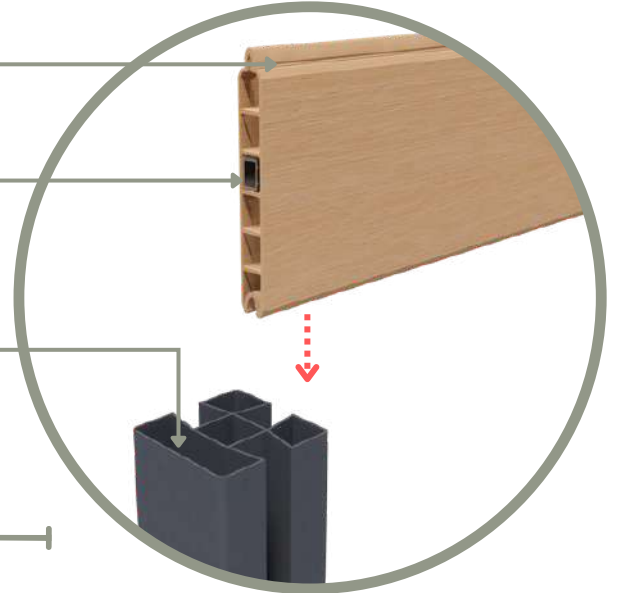
FENCE
MODEL 1

After the installation of the fence starter, finally, the fence base profile NVPTFP1520B18 is finally ready to be installed. Slide the fence base profile NVPTFP1520B18 into the groove of both fence posts until the fence starter.

NVPTFP1520B18
Fence Base Profile

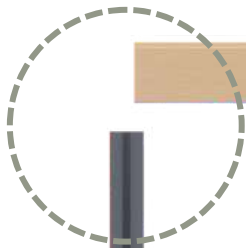
NVALIN1520B18
Aluminum Insert

NVALPT909019
Fence Post

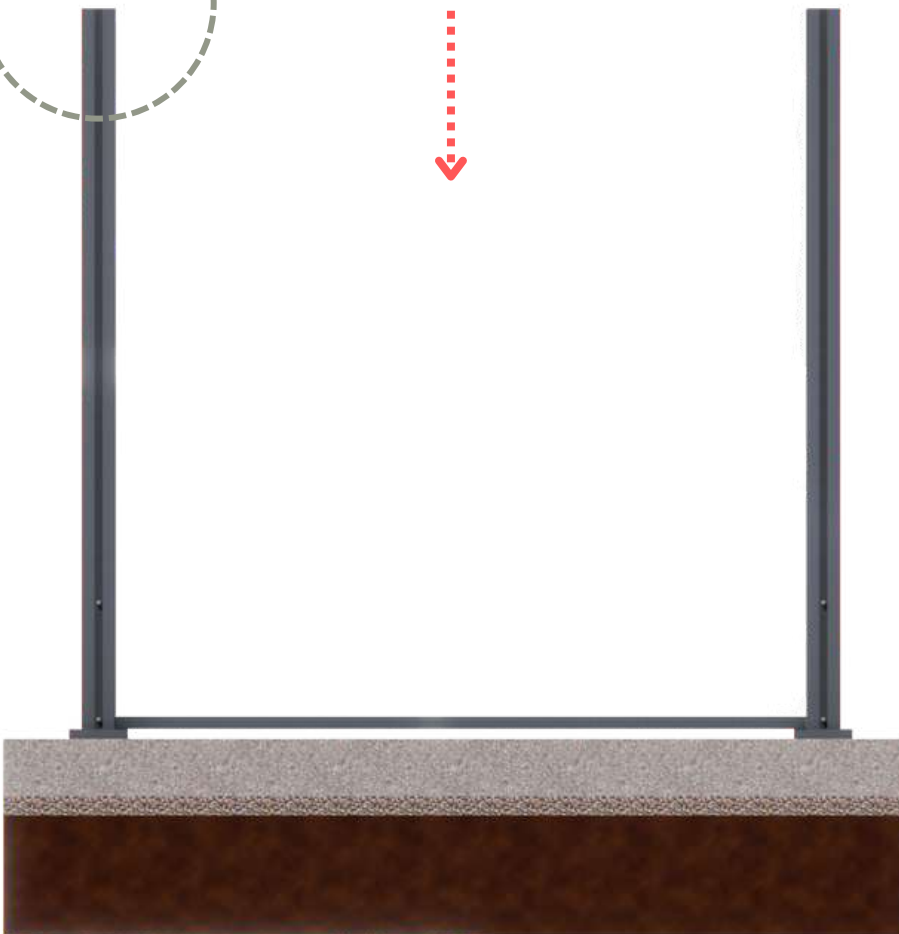


ISOMETRIC DETAIL
Fence System - Model 1

1850 mm
Length of fence base profile



1908 mm
Overall height from FFL to
top of post

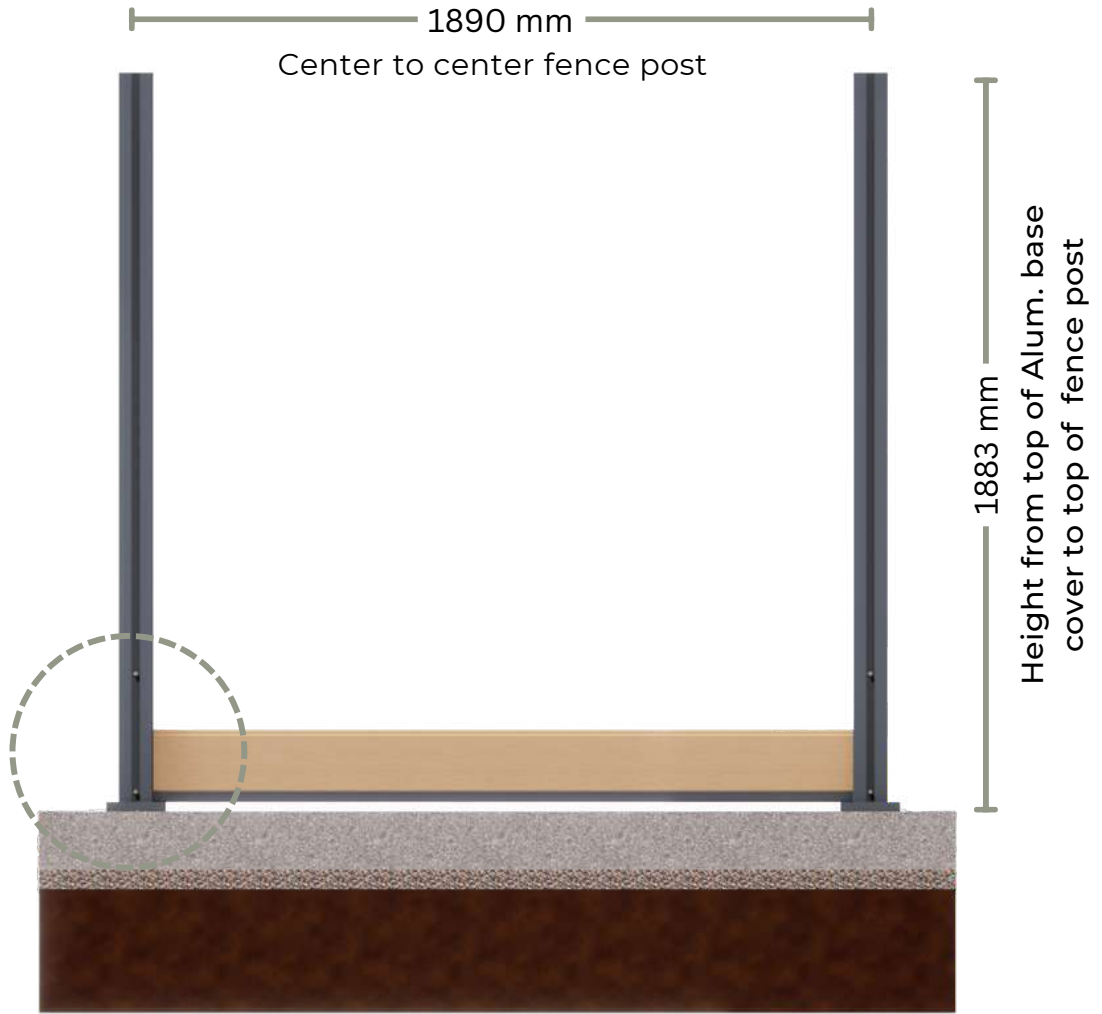


SECTION
Fence System - Model 1

GUIDE

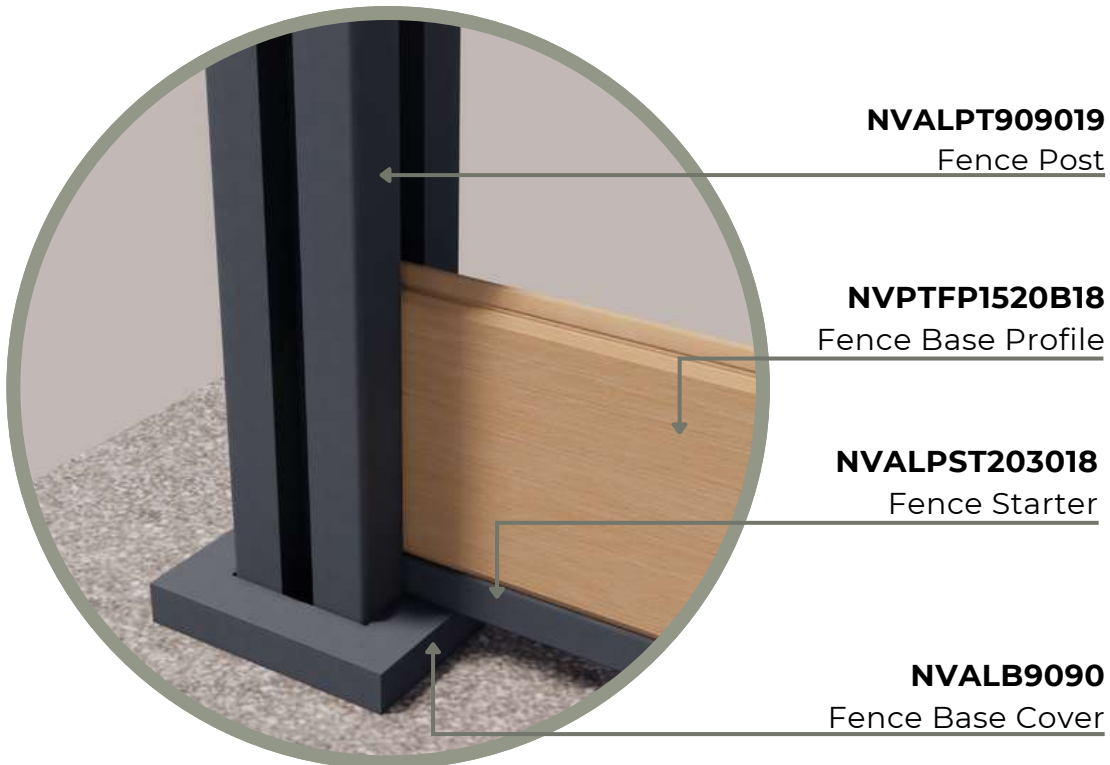
7

FENCE
MODEL 1



ELEVATION

Fence System - Model 1



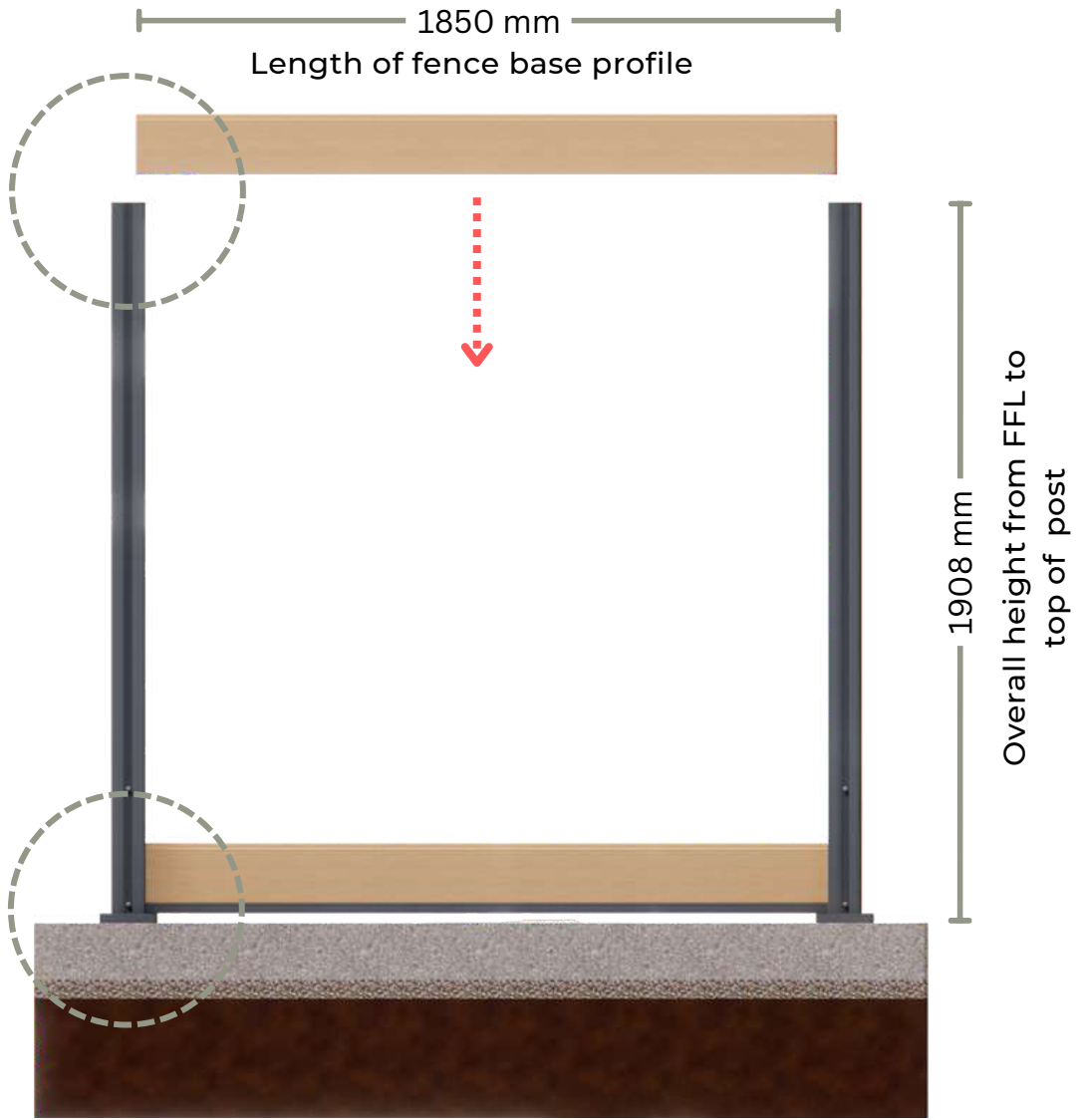
ISOMETRIC DETAIL

Fence System - Model 1

GUIDE

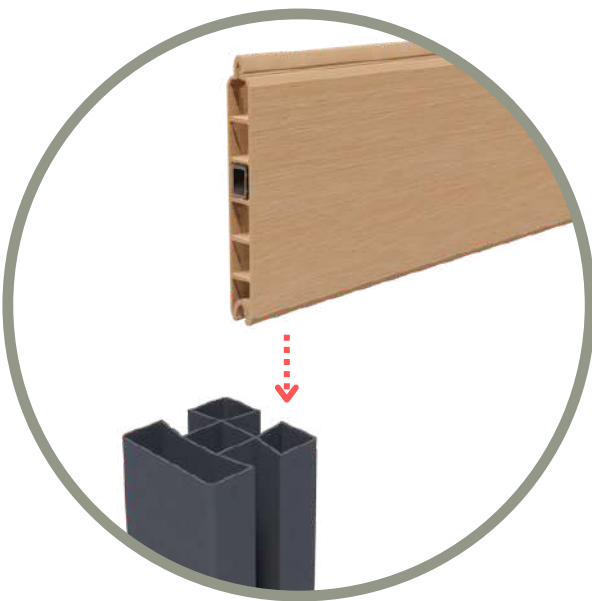
7

FENCE
MODEL 1



ELEVATION

Fence System - Model 1



ISOMETRIC DETAIL

Fence System - Model 1

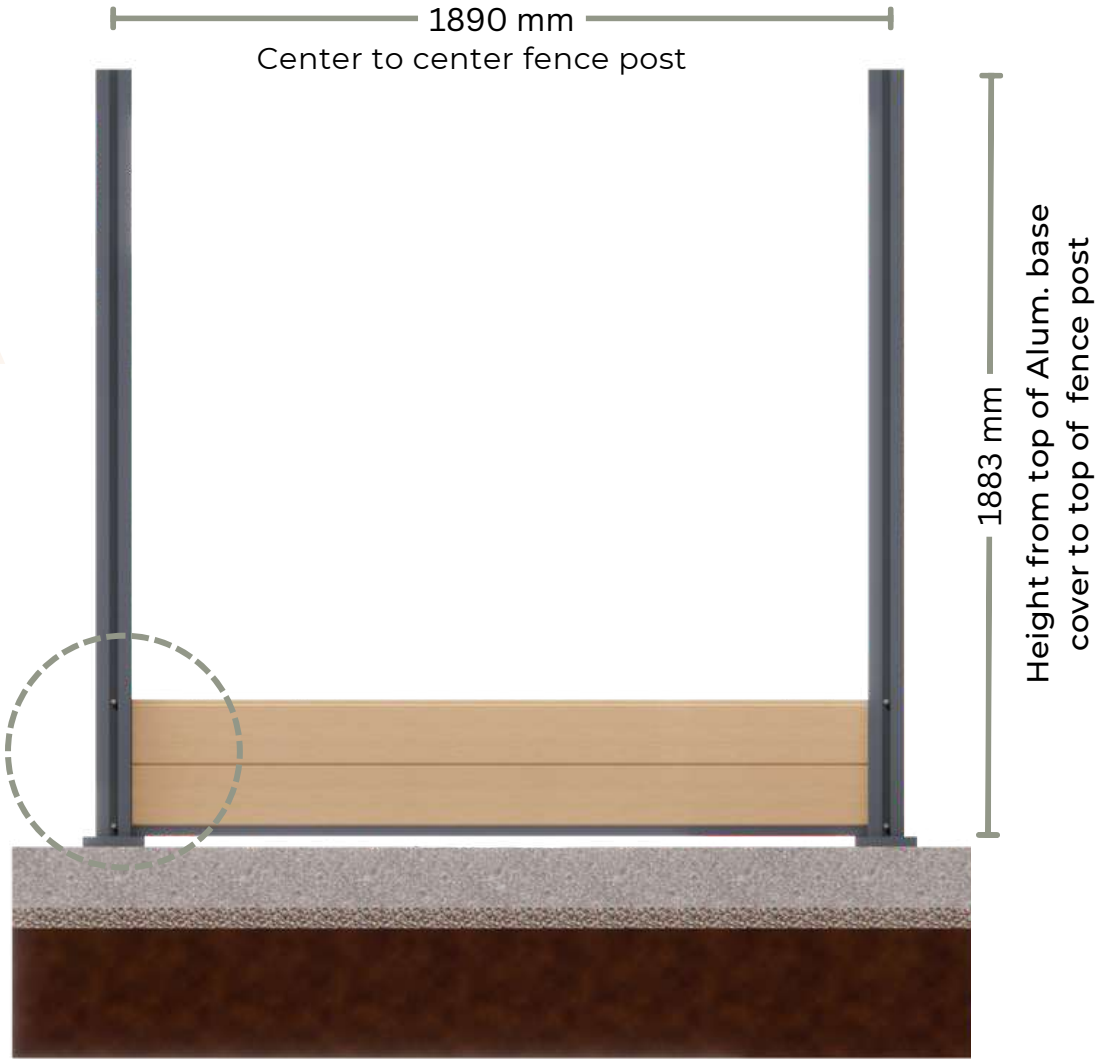


ISOMETRIC DETAIL

Fence System - Model 1

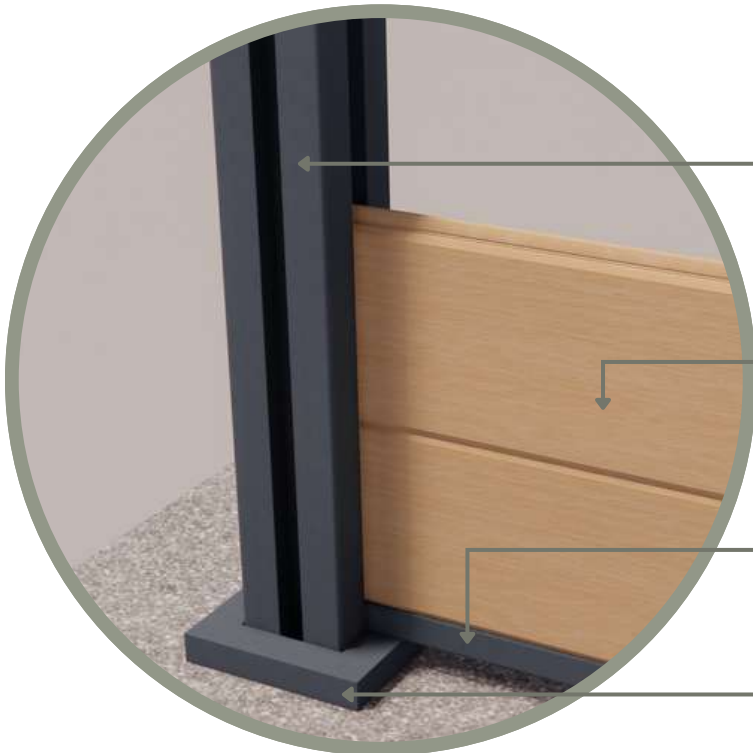
7

FENCE
MODEL 1



ELEVATION

Fence System - Model 1



NVALPT909019

Fence Post

NVPTFP1520B18

Fence Base Profile

NVALPST203018

Fence Starter

NVALB9090

Fence Base Cover

ISOMETRIC DETAIL

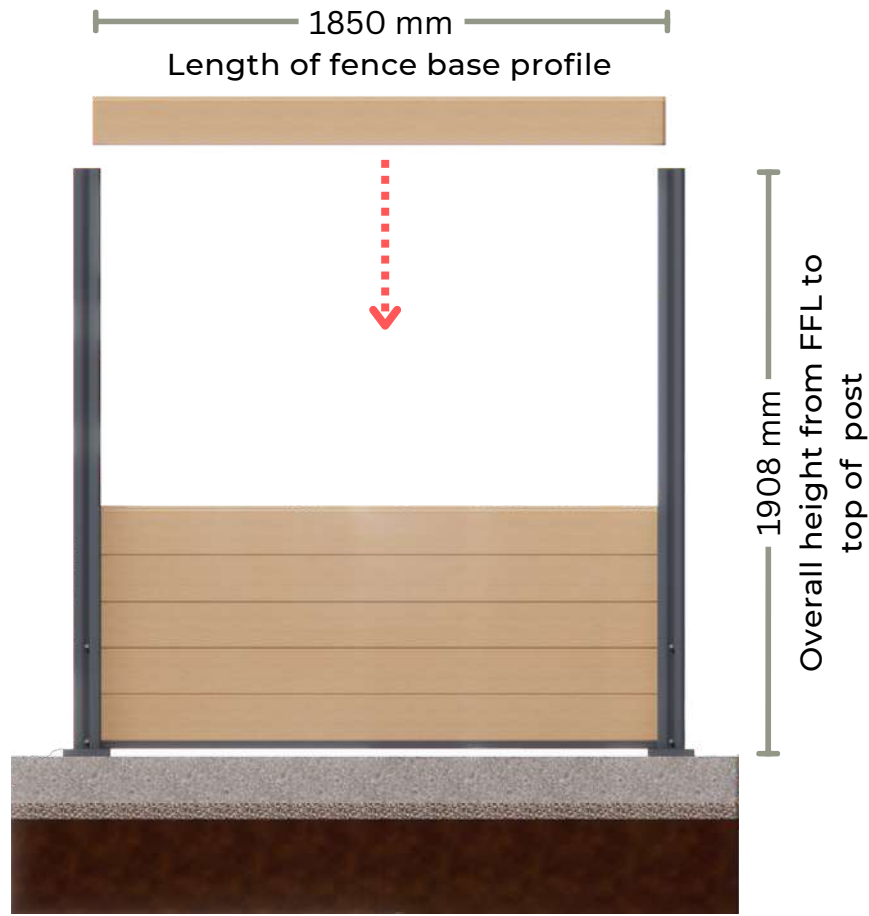
Fence System - Model 1

GUIDE

8

FENCE
MODEL 1

Continue, the installation of the fence base profile NVPTFP1520B18 by following step 6 until reach the last top board.



ELEVATION

Fence System - Model 1



ISOMETRIC VIEW

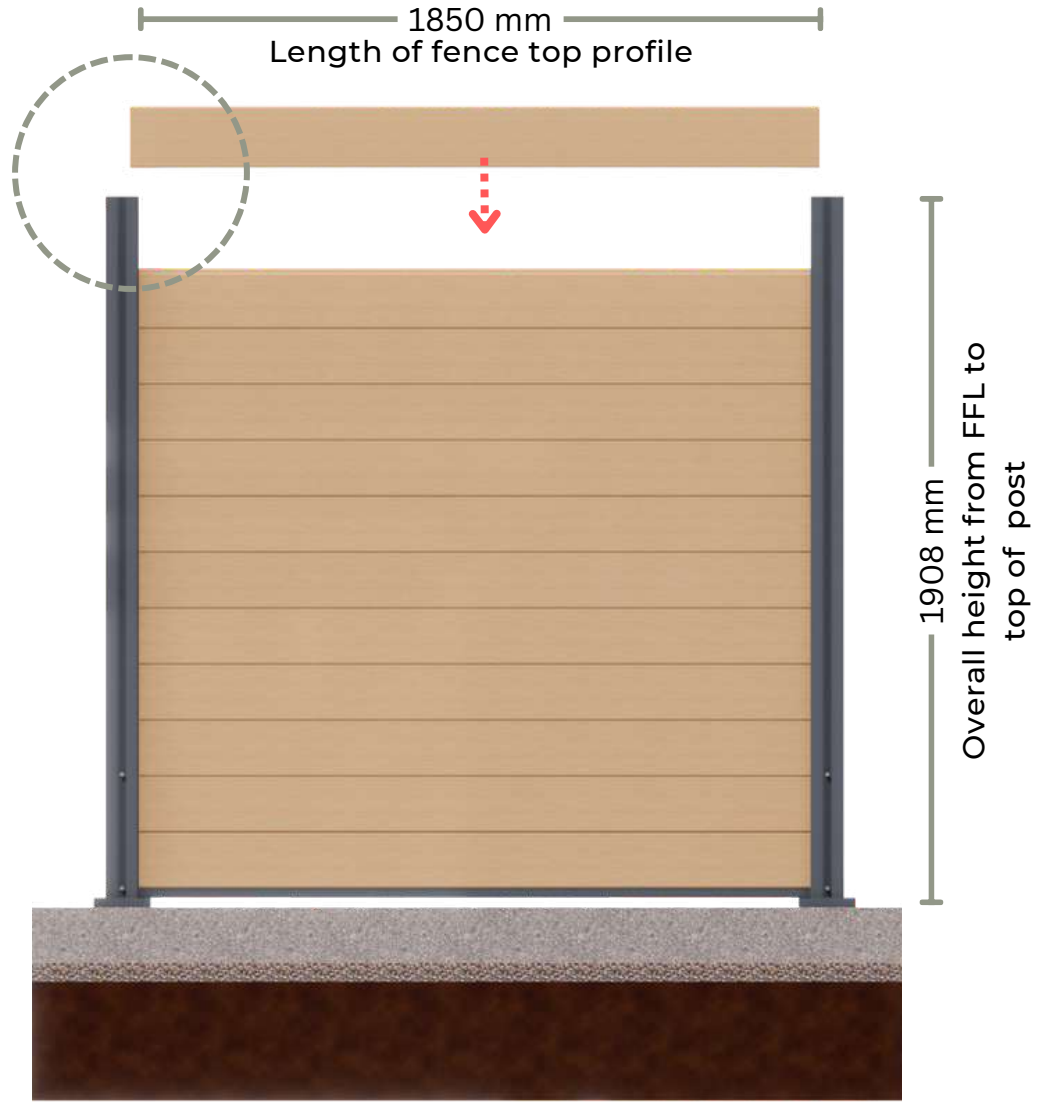
Fence System - Model 1

GUIDE

For the last board, insert fence top profile NVPTFP1672018T into the groove.

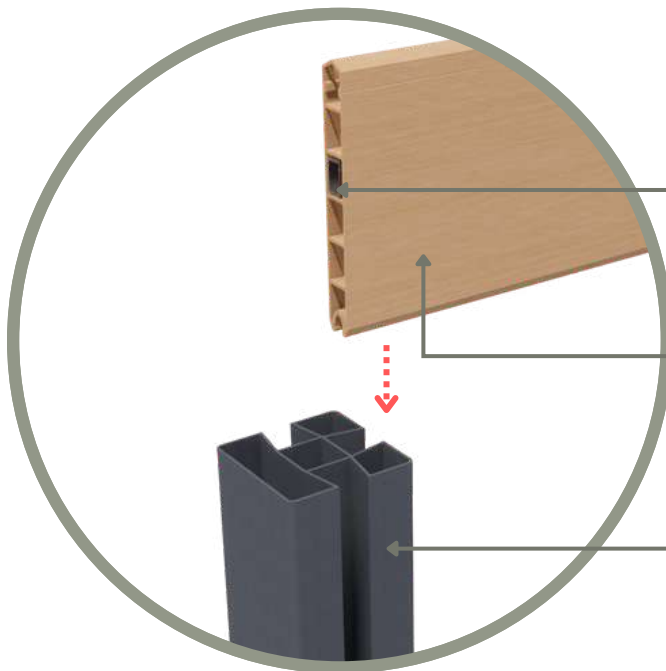
9

FENCE
MODEL 1



ELEVATION

Fence System - Model 1



NVALIN1672018

Aluminum Inserts

NVPTFP1672018T

Fence Top Profile

NVALPT909019

Fence Post

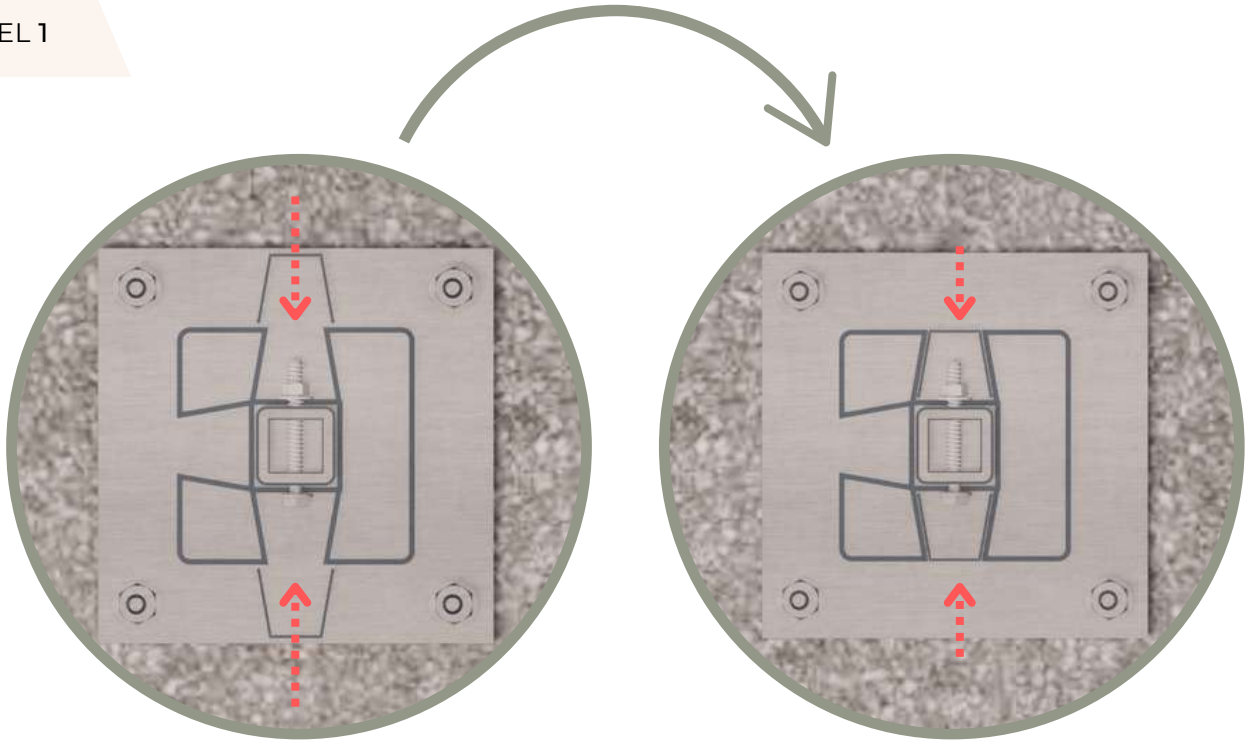
ISOMETRIC DETAIL

Fence System - Model 1

After installing the fence top profile, slide down the fence cover post on both sides of the fence post groove.

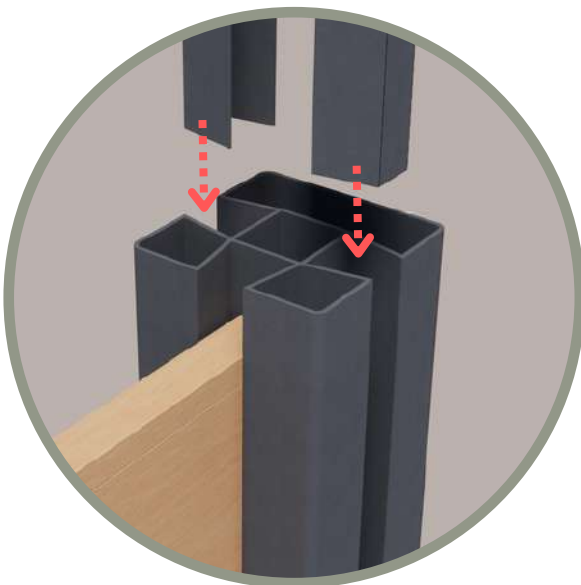
10

FENCE
MODEL 1

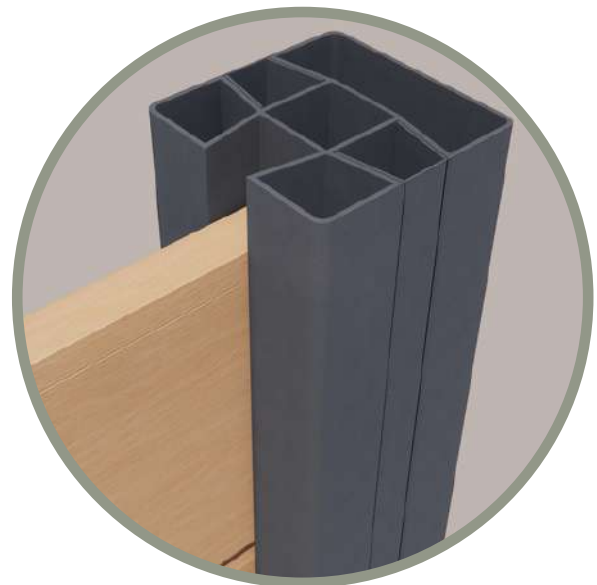


TOP VIEW - SECTION A
Fence System - Model 1

TOP VIEW - SECTION B
Fence System - Model 1



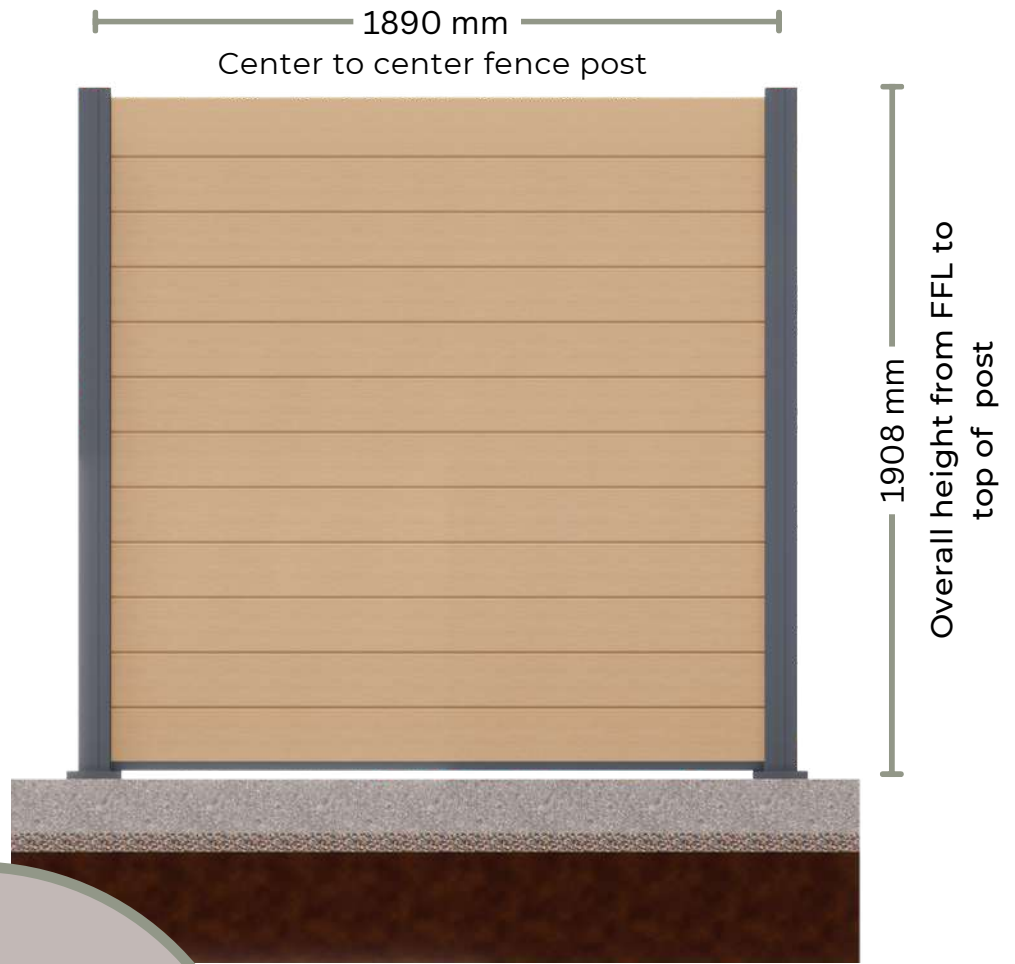
ISOMETRIC DETAIL A
Fence System - Model 1



ISOMETRIC DETAIL B
Fence System - Model 1

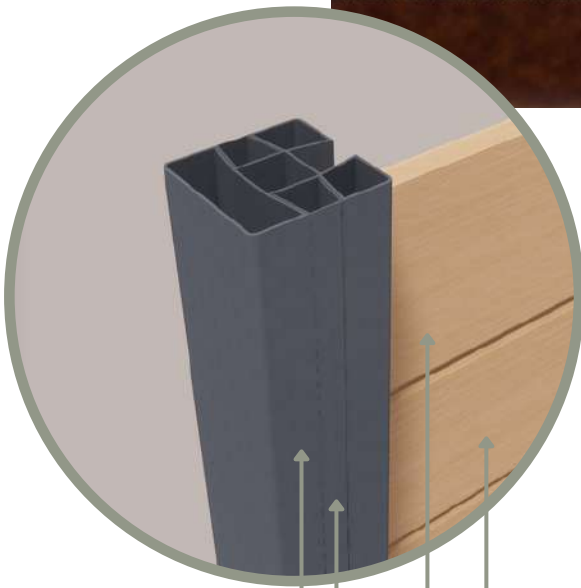
11

FENCE
MODEL 1



ELEVATION

Fence System - Model 1



NVALPT909019

Fence Post

NVALPCU202019

Fence Post Cover

NVPTFP1672018T

Fence Top Profile

NVPTFP1520B18

Fence Base Profile



ISOMETRIC VIEW

Fence System - Model 1

ISOMETRIC DETAIL
Fence System - Model 1

Finally, Install the fence tap cap ALTC90 on both fence posts ALPT9090 by using an M5 self-drilling screw screwing on both sides.

NVPTFP1672018T

Fence Top Profile

NVALT9090

Fence Tap Cap

M5 Self-tapping
Screw

NVALPT909019

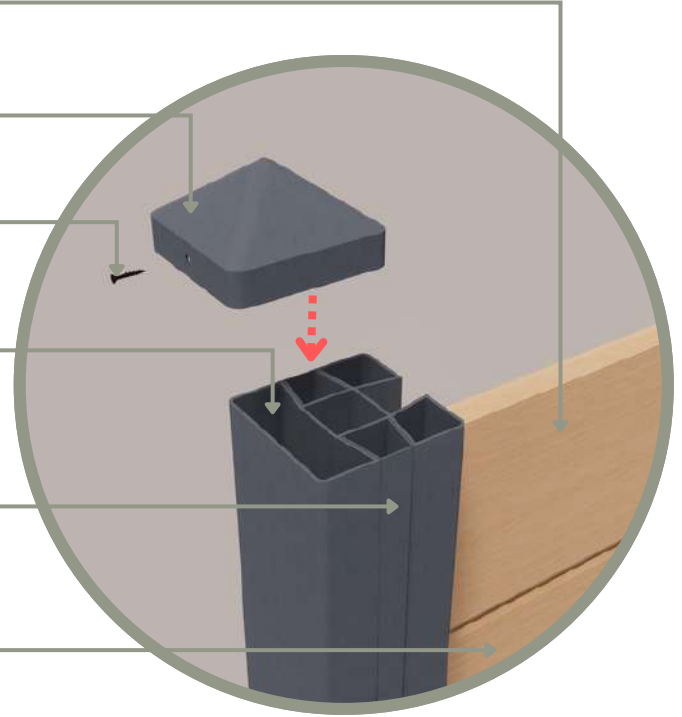
Fence Post

NVALPCU202019

Fence Post Cover

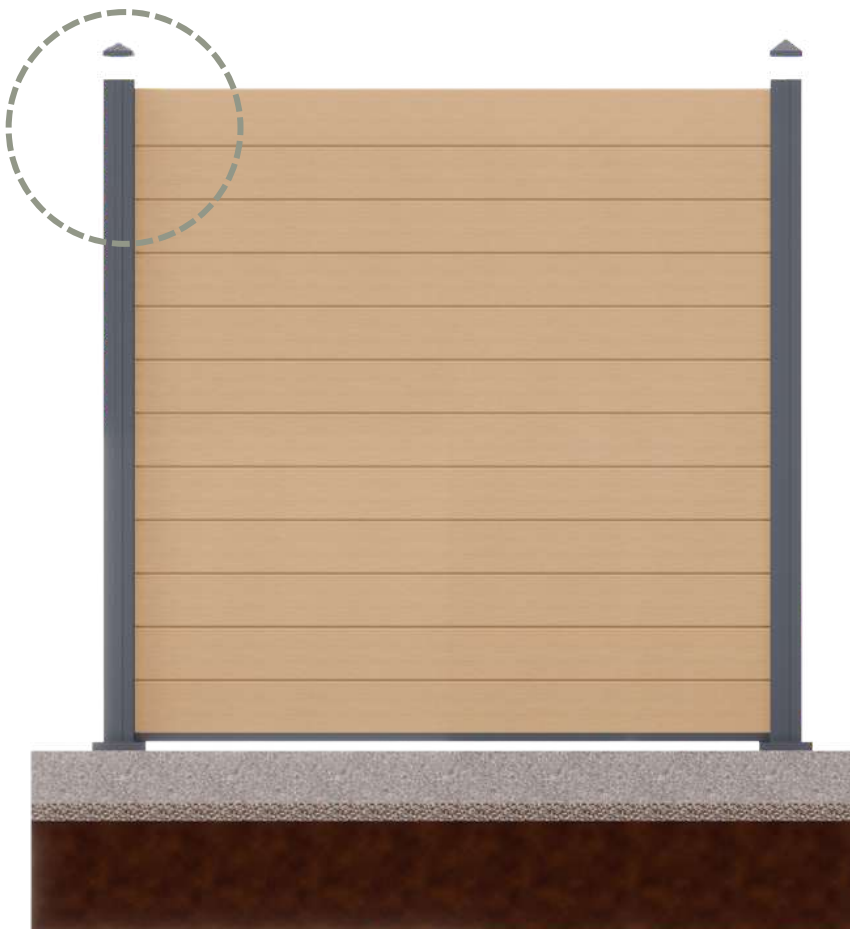
NVPTFP1520B18

Fence Base Profile



ISOMETRIC DETAIL

Fence System - Model 1

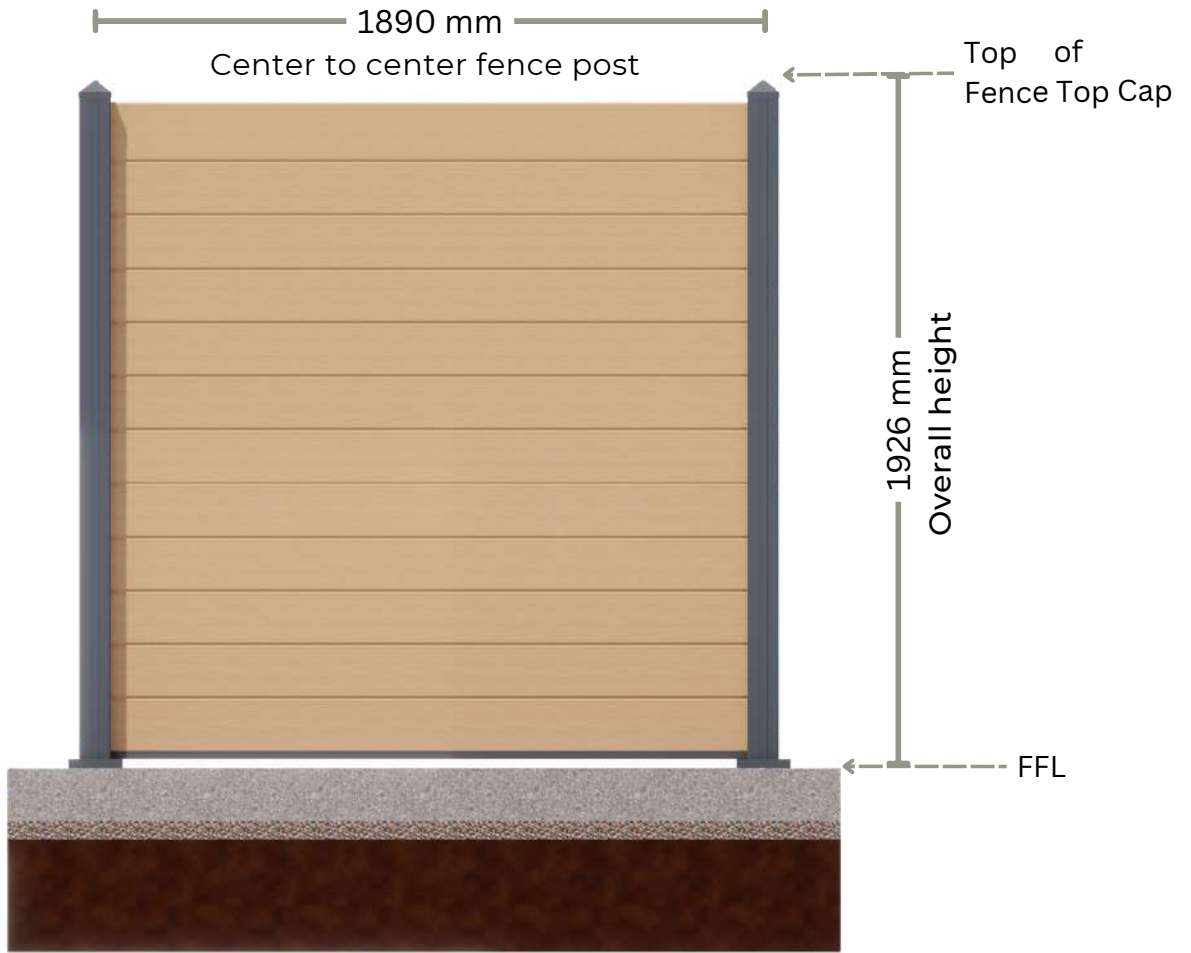


ELEVATION

Fence System - Model 1

12

FENCE
MODEL 1



ELEVATION

Fence System - Model 1

M5 Self-tapping Screw

NVALT9090

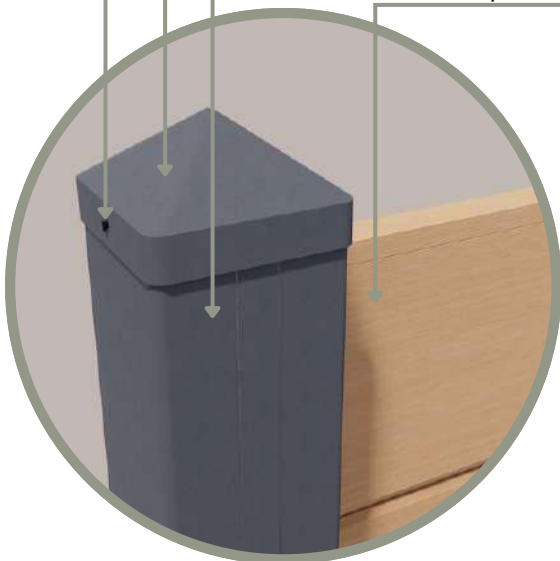
Fence Tap Cap

NVALPT909019

Fence Post

NVPTFP1672018T

Fence Top Profile



ISOMETRIC DETAIL
Fence System - Model 1



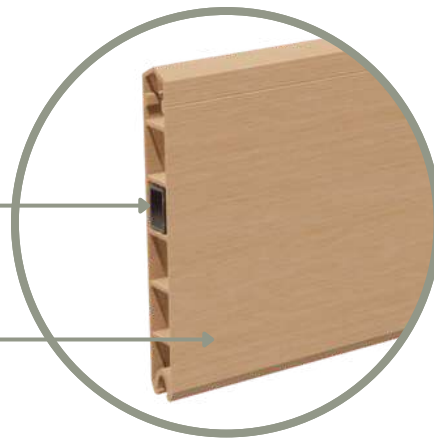
NOTE

1

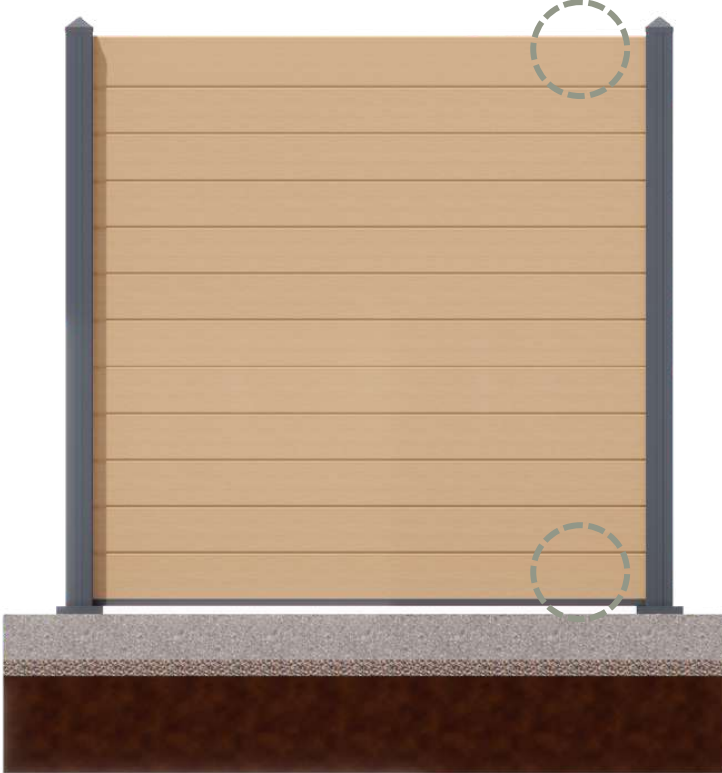
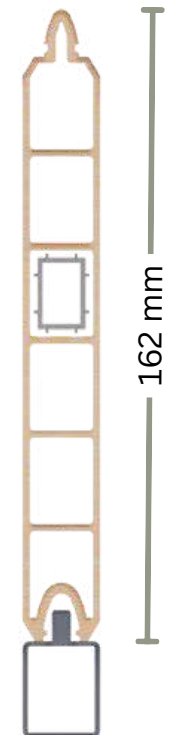
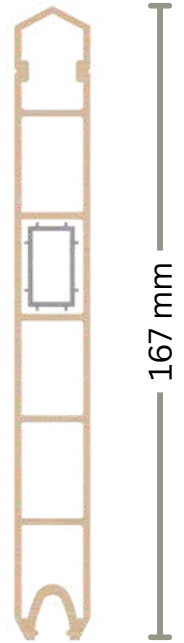
FENCE
MODEL 1

NVALIN1672018
Aluminum Insert

NVPTFP1672018T
Fence Top Profile



ISOMETRIC DETAIL A
Fence System - Model 1



ELEVATION
Fence System - Model 1

NVALIN1520B18
Aluminum Insert

NVPTFP1520B18
Fence Base Profile

NVALPST203018
Fence Starter



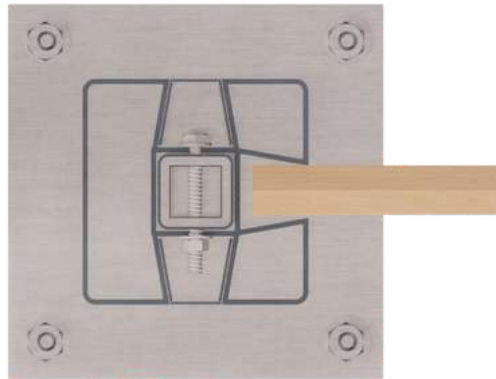
ISOMETRIC DETAIL B
Fence System - Model 1

NOTE

2

FENCE
MODEL 1

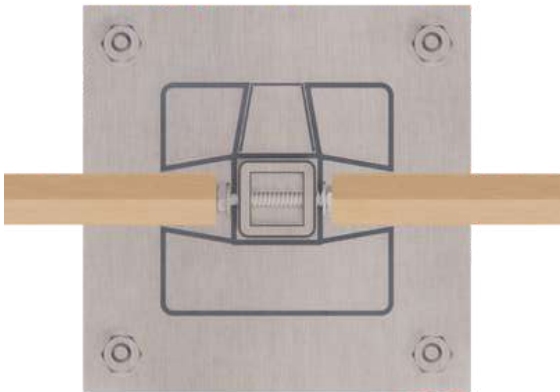
FENCE CONNECTION DETAILS



TOP VIEW
End Detail



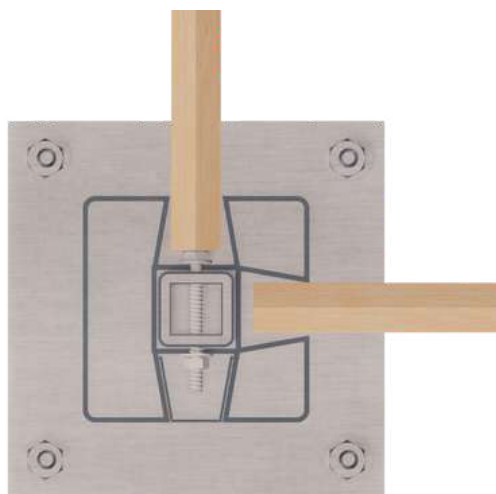
ISOMETRIC VIEW
End Detail



TOP VIEW
Linear Detail



ISOMETRIC VIEW
Linear Detail



TOP VIEW
Corner Detail



ISOMETRIC VIEW
Corner Detail

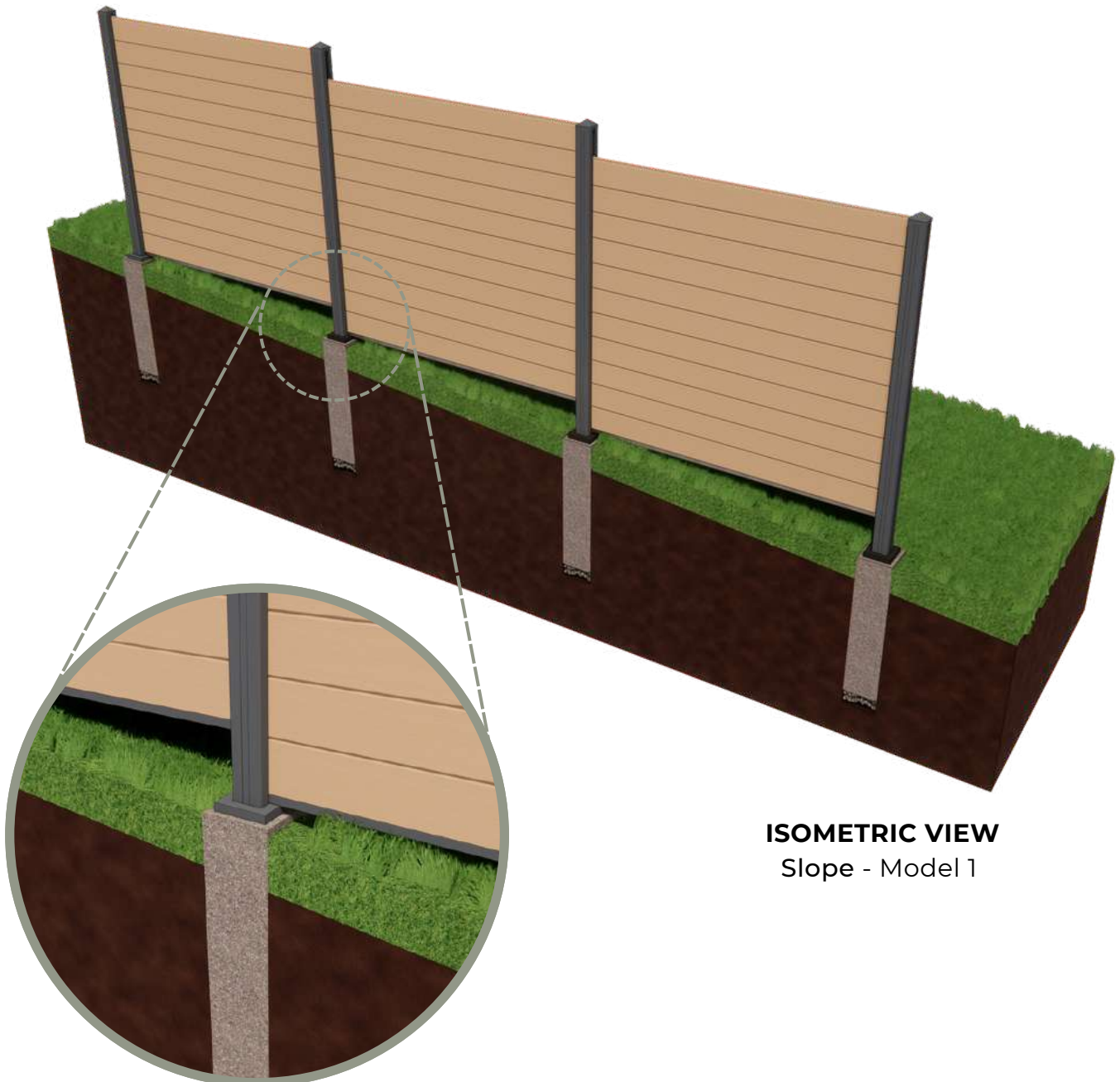
NOTE

3

FENCE
MODEL 1

MODEL 1 ON SLOPE SURFACE

Having a gradual slope to contend with, using a stepped fence method. The stepped fence will allow one to follow the grade and maintain a relatively consistent gap at the bottom of the fence. With this type, each panel of the fence between posts is set higher or lower than the panel next to it, following the slope of the land. Using the available fence post NVALPT909019 length of 1900mm.



ISOMETRIC VIEW
Slope - Model 1

ISOMETRIC DETAIL
Slope - Model 1

NOTE

3

FENCE
MODEL 1

NVALT9090

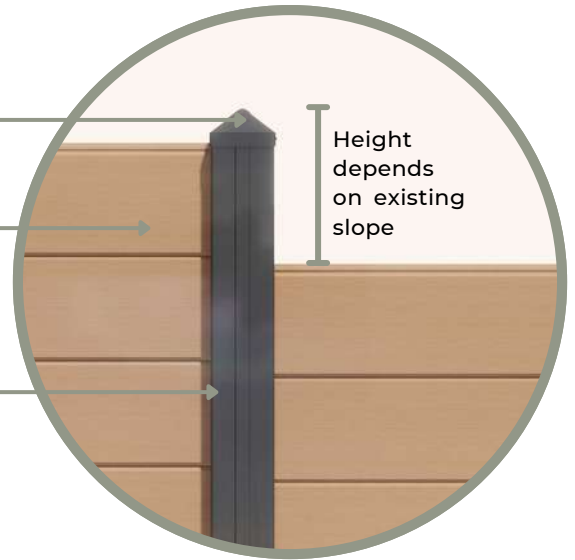
Fence Tap Cap

NVPTFP1672018T

Fence Top Profile

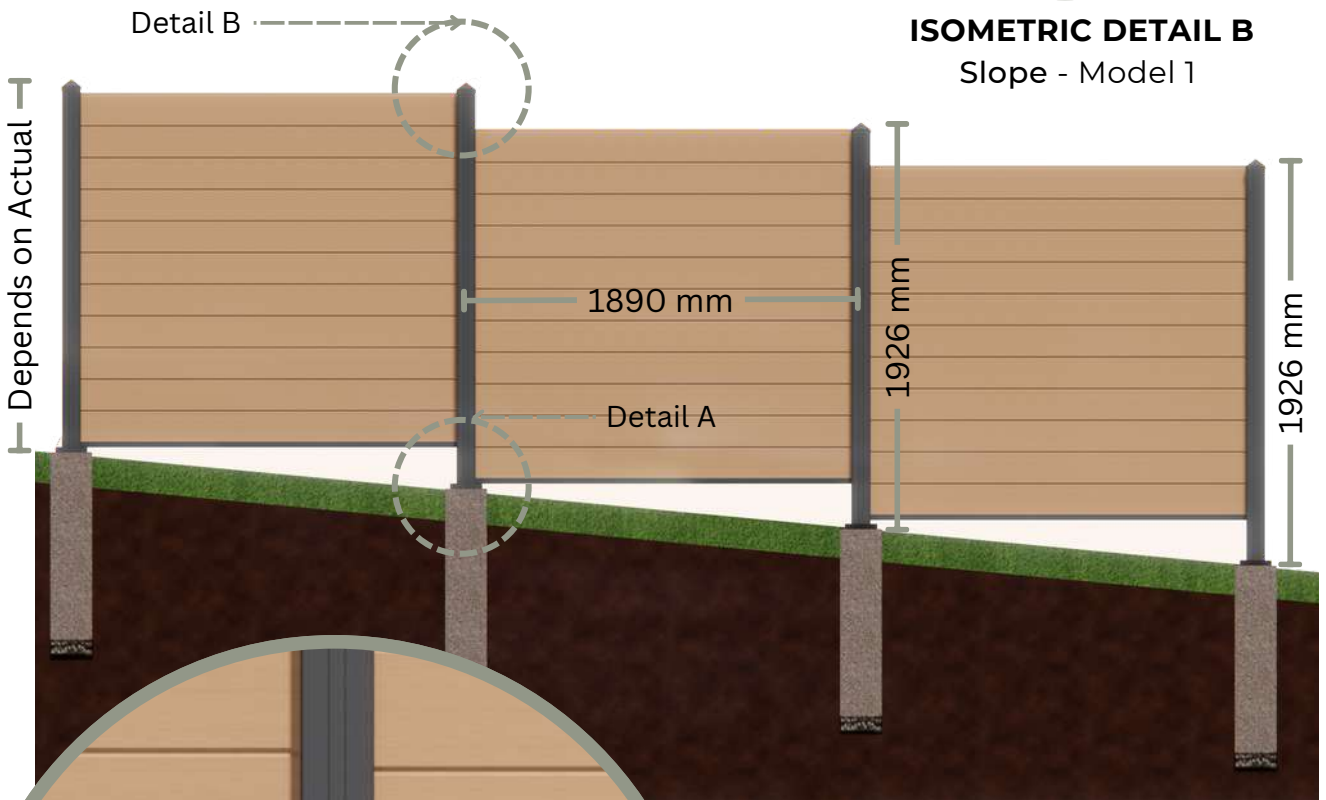
NVALPT909019

Fence Post



ISOMETRIC DETAIL B

Slope - Model 1



ELEVATION

Fence System - Model 1

NVALB9090

Fence Base Cover
setting the height

Concrete base



ISOMETRIC DETAIL A

Slope - Model 1

COLOR CONCEPT

Whether it be classic or modern - with the protection glaze especially adapted to Novano surface, you can protect Novano and keep it clean from water, tear and safeguard it against environmental influences.

With selected color shades you can easily and quickly create the surface finish of your desire and re-reat it whenever you want. The water-based formulation is completely odorless and has ultra-quick drying properties. Owing to its simple and smooth application, your surfaces can easily be given a new lease of life.

COLOR COAT SYSTEM

Choose from 6 Beautiful Standard Stain Colors



Resysta Color Concept-Special Colors



SAFETY WARNINGS

Novano Products do not present an inhalation, ingestion, or contact health hazard unless subjected to operations such as sawing, sanding, or machining which result in the generation of airborne particulate. This product contains crystalline silica. Respirable crystalline silica limits are specified by OSHA. Exposure to respirable (fine) silica dust depends on a variety of factors, including activity rate (e.g. cutting rate), method of handling, ventilation, environmental conditions (e.g. weather conditions, workstation orientation), and engineering control measures used. Exposures to respirable crystalline silica above limits established by OSHA are not expected during the normal use of this product. Crystalline silica, has been shown to cause silicosis and has been identified by the State of California, IARC, and NTP as a known human carcinogen. The risk of developing silicosis is dependent upon the exposure intensity and duration. It is recommended that a NIOSH-approved particulate respirator be worn whenever working with this product results in airborne dust exposure.

To view a complete list of products, please refer to our Novano brochure or visit our website www.novano-resysta.de