



# INSTALLATION GUIDE

## NOVANO 6" DECO PROFILE



### 1. Introduction

Sec.1 Basics

Sec.2 Scope of Delivery

### 2. Installation – Procedure

Sec.1 Batten Substructure

Sec.2 Horizontal Panel  
Application

Sec.3 Vertical Panel Application

Sec.4 Air Barrier Requirements

Sec.5 Finishing Corner

Sec.6 Prime and Stain System



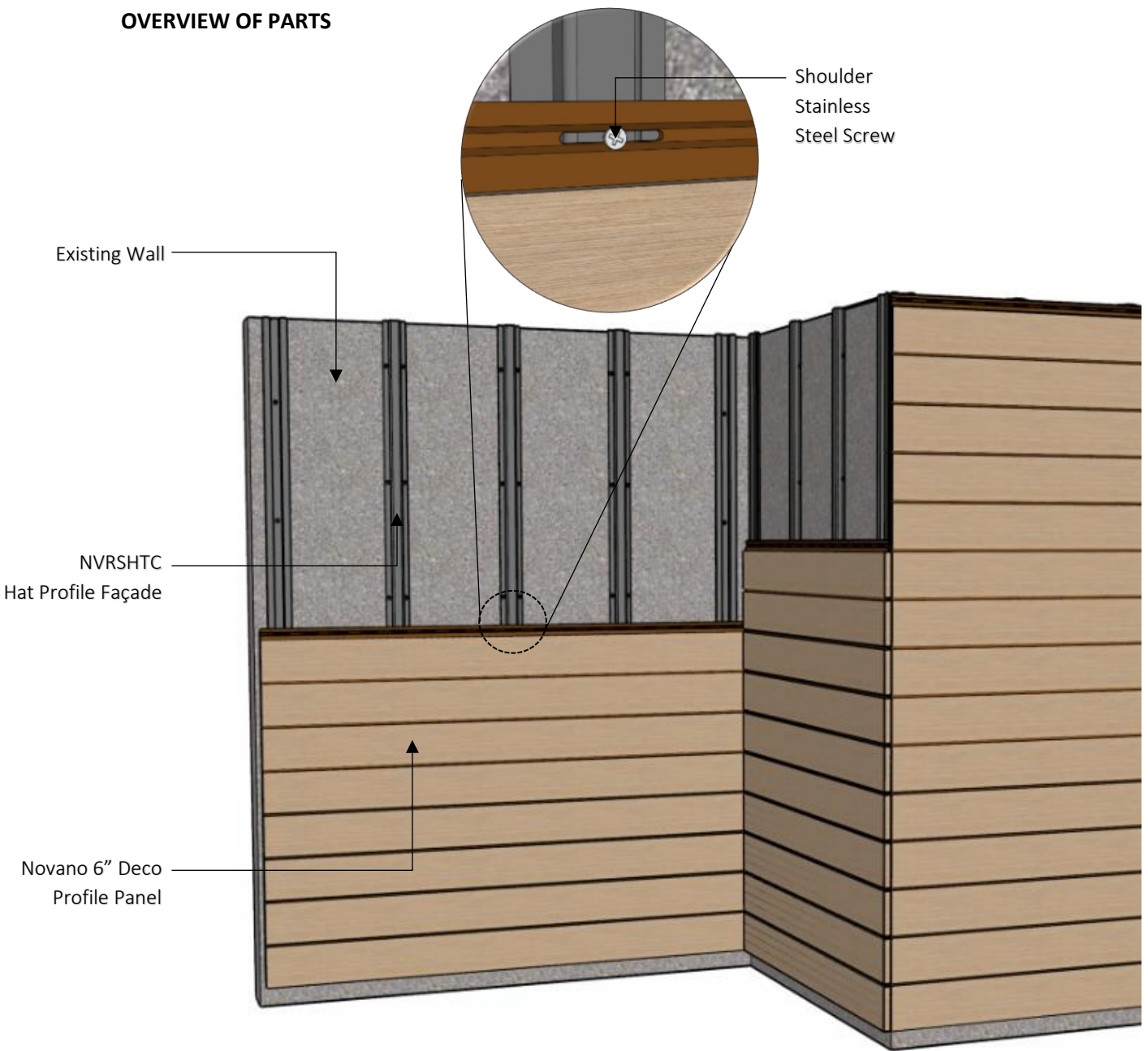
### 3. Product inquiries

**1. INTRODUCTION**

NOVANO is an innovative replacement that represents a real game changer in sustainable house construction. The name NOVANO is made up of the words "Nova Ligno", which means something like "New Wood". It is a natural fiber that can also be recycled as a material. It is astonishingly similar to its original, but thankfully does not turn gray over time. Thanks to this new type of product, it is now possible to feel the warmth, homeliness and security that wood conveys without needing it in its natural form. This was and is the quintessential production of Novano.

**SECTION 1 - Basics**

**OVERVIEW OF PARTS**



**ISOMETRIC VIEW**

BASIC PARTS OF NOVANO 6" DECO PROFILE

## SECTION 2 - Scope of Delivery

NO.	PRODUCT NAME AND SPECIFICATION	ISOMETRIC VIEW	UNIT	LENGTH	WEIGHT
1	<b>NVDPH1402036C00</b> 140mm x 20mm Novano 6" Deco Profil uncoated		PCS	3,65 m	5,5 kg
2	<b>NVDPH1402036Cxx</b> 140mm x 20mm Novano 6" Deco Profile coated		PCS	3,65 m	5,5 kg
3	<b>NVDCH181836CXX</b> Deco Corner		PCS	3,65 m	3,6 kg
4	<b>NVRSHTC40</b> Hat Channel Mill Finish		PCS	4 m	0,9 kg
5	<b>NVRSHTCP40</b> Hat Channel Punched Mill Finish		PCS	4 m	0,9 kg
6	<b>NVJS04</b> Starter J-Strip		PCS	4 m	0,45 kg
7	<b>NVRSS25</b> 1"TEC Shoulder Siding Screw 3,5x25mm, V2A		1000 PCS	--	4,5 kg
8	<b>NVDCAP20140</b> Hollow Cap 20mmx140mm		25 PCS	--	--

**Table 1.1 "Scope of Delivery"**

NOTE: Table above shows products commonly used for Novano 6" Deco Profile Panel. To view a complete list of products, please refer to our Novano brochure or visit our web site <https://www.novano-resysta.de/>



## **IMPORTANT: FIVE Major Bullet Points You Must Follow for a Successful Novano Siding Installation**

- **Pre application of all finishing trim accessories**
- **Screw Placement**
- **Room for Expansion and Contraction**
- **Hard Fastening of each Plank**
- **Top to Bottom Ventilation**

### **NOTE:**

Proper planning of the Novano 6" Deco Profile panel layout is essential for ease of installation of panels and components. Thoroughly read the following assembly instructions and obtain all necessary building permits prior to starting your installation. Decide finishing and trimming options prior to starting the project to ensure Novano 6" Deco Profile panel finishing detail is uniform for all sides of the building. Installation is the sole responsibility of the installer. Novano Company assumes no responsibility whatsoever with respect to the installation. The information contained herein is provided for guidance purposes only and should not be relied upon as any absolute representation by Novano.

### **Safety Tips:**

1. Always check for power, gas, and water lines before installing.
2. Always wear safety glasses when operating power equipment.

### **Assembly Tips:**

1. Battens should be flat and level to each other. The Novano 6" Deco Profile will follow the contour of the wall.
2. Novano system is not a rain screen or water proof system. Novano is a water shed system.
3. Proper wall preparation according to local building codes and wall covering manufacture's recommendations should be adhered to. This includes but is not limited to flashing all openings.
4. All holes should be predrilled and installation holes should be slotted.
5. Only use construction fastening material and hardware suitable for outdoor use (e.g. stainless steel screws). Recommended is the use of shoulder screw.
6. Always consider the linear expansion of Novano, which is dependent on the temperature but not the air humidity. See Table 1.2 "Novano Expansion" for more information.
7. Cut-off pieces and/or abrasive dust must be disposed of separately. Please comply with regulations of your competent waste management. You may under no circumstances burn Novano material.
8. Cutting to length should be carried out at consistent material temperature. Therefore, the material should be stored in the shade or in areas where it is not exposed to direct sunlight. The material can warm up considerably in the sun, leading to an increased change in length. In the case of more distinct fluctuations in material temperature, cutting to length may have to be adapted accordingly.
9. Please store Novano products flat on level surface.





## Code Compliant Batten Spacing

Part Number	Part Description	Batten Span (mm)
NVDPH1402029C00	6" Deco Profile 140mm x 20mm	400
NVDPH1402029Cxx	6" Deco Profile 140mm x 20mm	400

**Table 1.2 "Batten Spacing Requirements"**

### **Recommendation for Batten Spacing**

If the deco panel is being installed in a hot southern location and will be exposed to direct sunlight for the majority of each day and/or the panel will be stained a dark color, the batten spacing is suggested be reduced to 200mm or 300mm center-to-center for all deco profiles.

## Expansion / Contraction of Novano 6" Deco Profile Panel

Novano Expansion – Contraction Guide	
Profile Length	<b>3,65 m</b>
Expansion / Contraction amount (approx.. 0.3% over 50°C variation in temperature)	11 mm

**Table 1.3 Expansion – Contraction:** Average expected expansion – contraction (this can vary based on geographical region).

Novano 6" Deco Profile Panel Gap Guide					
Temperature at Installation	Molding Gap of Panels				H-Shape Bar Panel Gap
	Below 0°C	15°C	20°C	30°C	
Amount for 6" Deco Profile Length of 4000mm	11 mm	8 mm	3 mm	0mm	6mm

**Table 1.4 "Novano Expansion"** – Ensure a steady material temperature when cutting the panels to size, i.e. the cutting has to be done under constant conditions, e.g. inside or in shade.

Always consider linear expansion of Novano 6" Deco Profiles panel during the installation of the products. If temperatures fluctuate during the installation, the gaps placed between the ends of the panels and a corner, window, or door must change with the temperature. Use the guide above to gap boards during installation.

### Expansion – Contraction Tips:

#### 1) Control Piece

at the start of the day cut a length of panel that is desired to be installed and keep this panel in the same area as the cutting and storage of the remaining panels. This panel will be a "Control Piece" to reference when cutting other panels to be installed. Throughout the day the "Control Piece" can be referenced and the saw cuts adjusted accordingly as the panels expand and/or contract. Heat from the sun will cause Novano panels to expand so if the material is stored in the shade keep the "Control Piece" in the shade as well.

#### Example:

If 4000mm panels are being installed put aside one 4000mm panel at the start of the day. Reference these panels throughout the day and adjust the cutting of the other panels to match.

#### 2) Control Gap

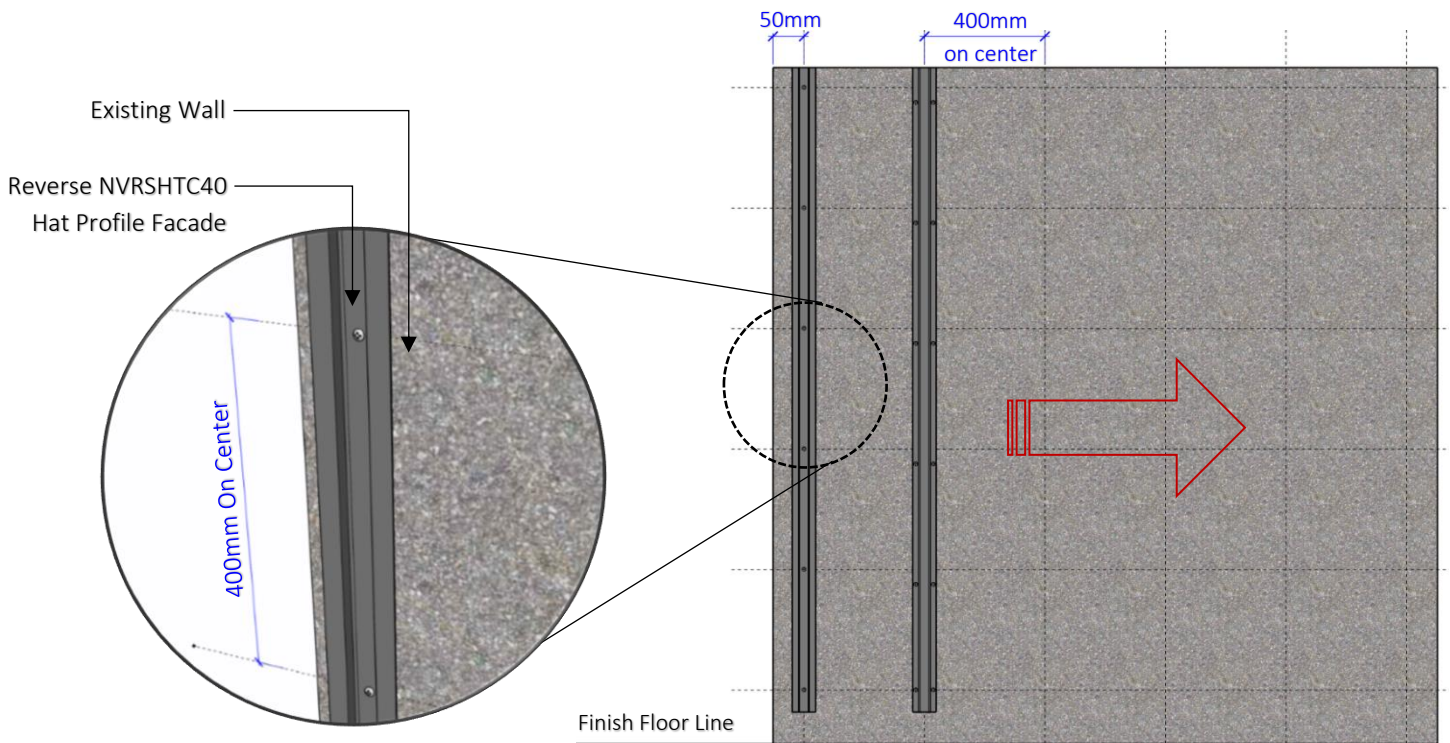
at the start of the installation place the panel gap according to Table 1.4 and mark the first gap made. This gap will be a "Control Gap" to reference when gapping the remaining panels to be installed. Throughout the installation reference back to this "Control Gap" to match the other gaps being installed. This will ensure that all the gaps installed are the same.

## 2. INSTALLATION - PROCEDURE

### SECTION 1 - Batten Substructure

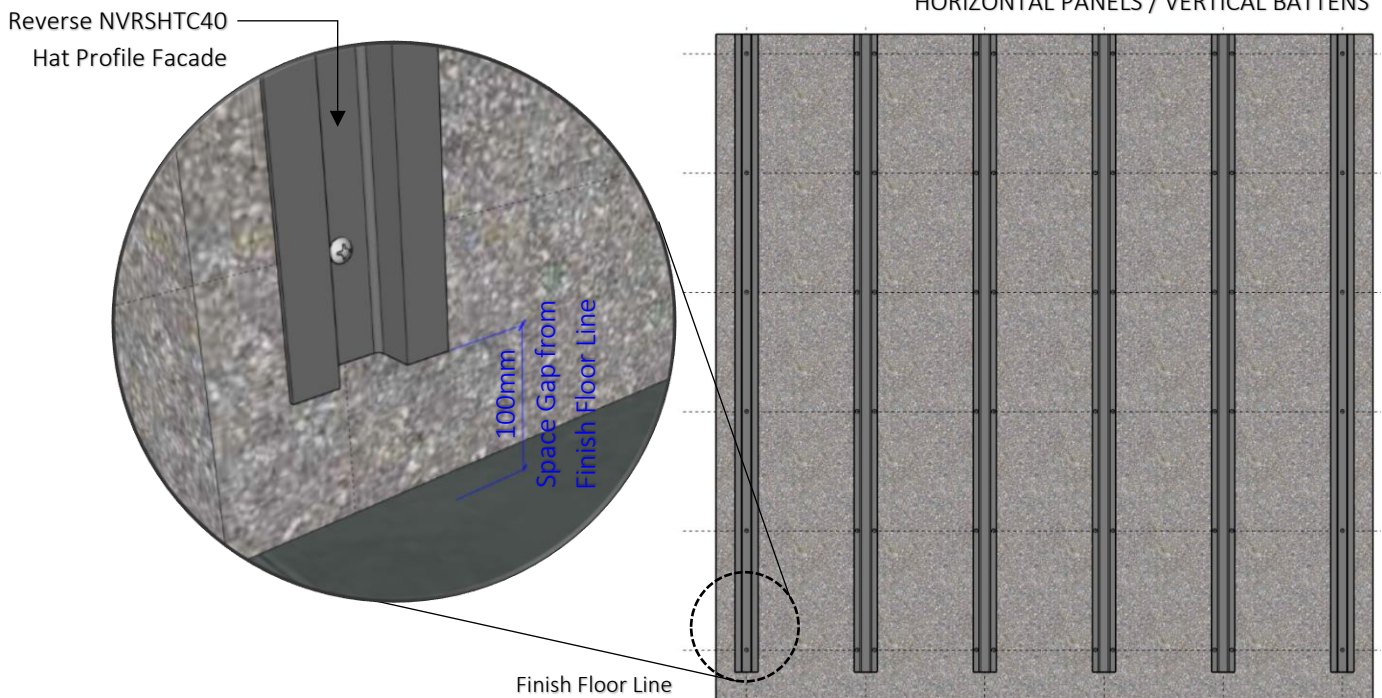
#### General Notes on Batten Substructure

Novano 6" Deco Profile panels can be installed in horizontal or vertical applications and the batten substructure should be planned to accommodate how the b panels will be installed.



**FRONT ELEVATION**

HORIZONTAL PANELS / VERTICAL BATTENS

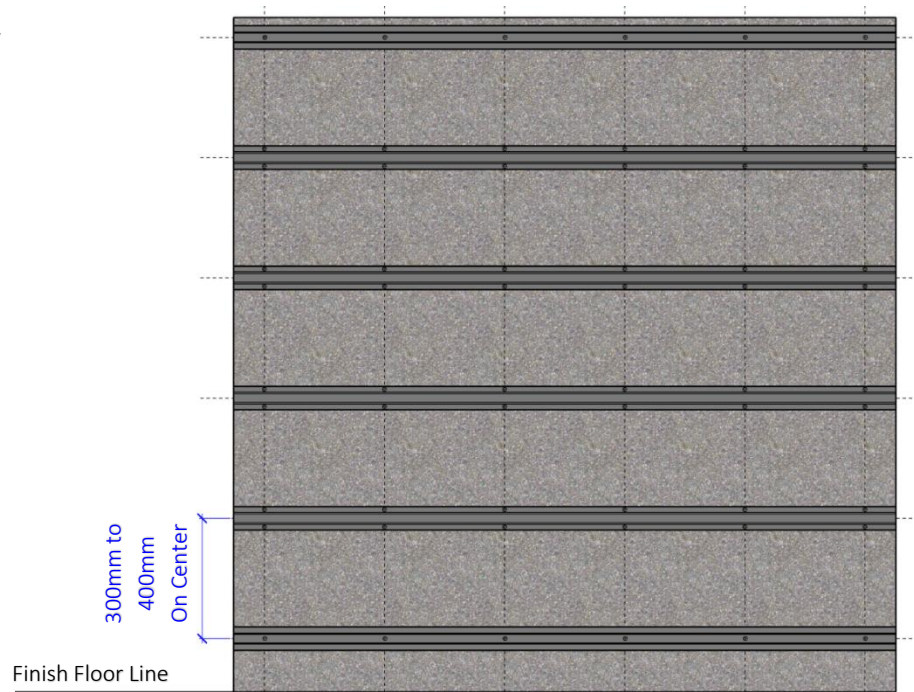
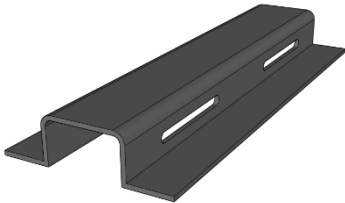


**FRONT ELEVATION**

HORIZONTAL PANELS / VERTICAL BATTENS

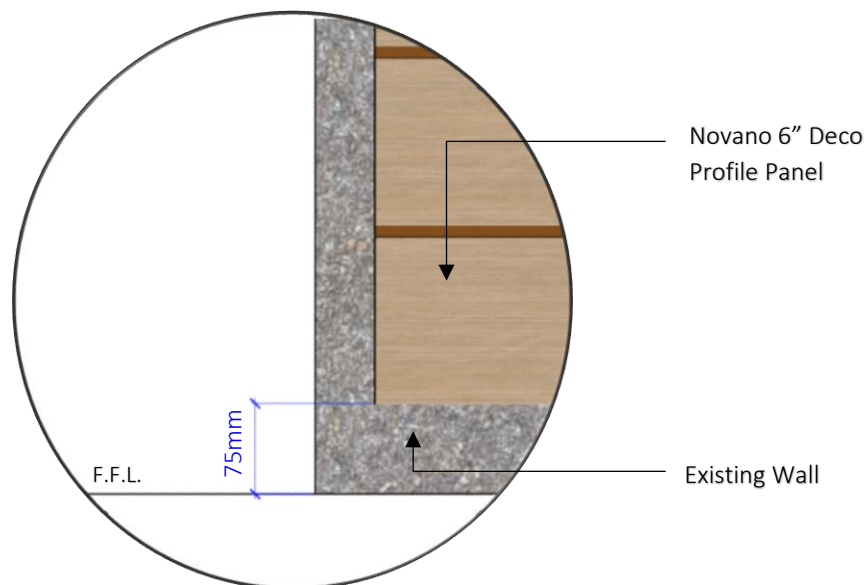
**Note:**

For Vertical Deco Installation a Perforated Hat Channel must be used to allow airflow and drainage of water.



**FRONT ELEVATION**  
VERTICAL PANEL / HORIZONTAL BATTENS

Novano 6" Deco Profiles panel require a minimum of 75mm from the ground to the start of the deco panel in horizontal installations. Plan the batten substructure and wall assembly accordingly to accommodate deco installation while adhering with local building code requirements.



**DETAIL**  
BATTENS DETAIL



## **Novano Aluminum Batten Substructure**

Install the battens and secure to the frame substructure in compliance with local building codes. Ensure that the installed battens do not exceed the “Batten Spacing Requirements” of Table 1.2. On walls where two panels will be used end-to-end, a minimum of two battens must be used to accommodate the fastening of the panels and any molding panel pieces desired to the batten substructure where the panels meet. Prior to installing the Novano 6” Deco Profile panels, ensure that the batten installation provides a minimum 20mm air gap behind the panels and there is sufficient support for all panels and molding accessories. This is often achieved through the installation of battens with a minimum thickness of 20mm.

Battens should be installed on top of a code compliant sheathing with fasteners and fastener spacing sufficient to accommodate all loads imposed upon it by the Novano 6” Deco Profile panels, molding components, and any other accessories attached to the battens. Novano 6” Deco Profile panels must be attached to aluminum battens with Novano Shoulder stainless steel screws taking care to not penetrate the weather barrier. If the weather barrier is going to be penetrated reference the weather barrier manufacture’s recommendations.

### **Notes on Novano Shoulder SS Screw**

## **Novano – Aluminum Batten Installation Guidelines**

When using metal battens, either steel or aluminum, it is recommended to use the Screw which can be driven through the aluminum molding panel and into the metal batten. Molding panel should be fastened 400mm on center for either horizontal or vertical installations. If the batten substructure spacing is reduced for the panel the molding should be fastened at the same interval as the panel. Be aware of fastener placement for the molding panel so as to not hinder the installation of the Novano 6” Deco Profile panels.



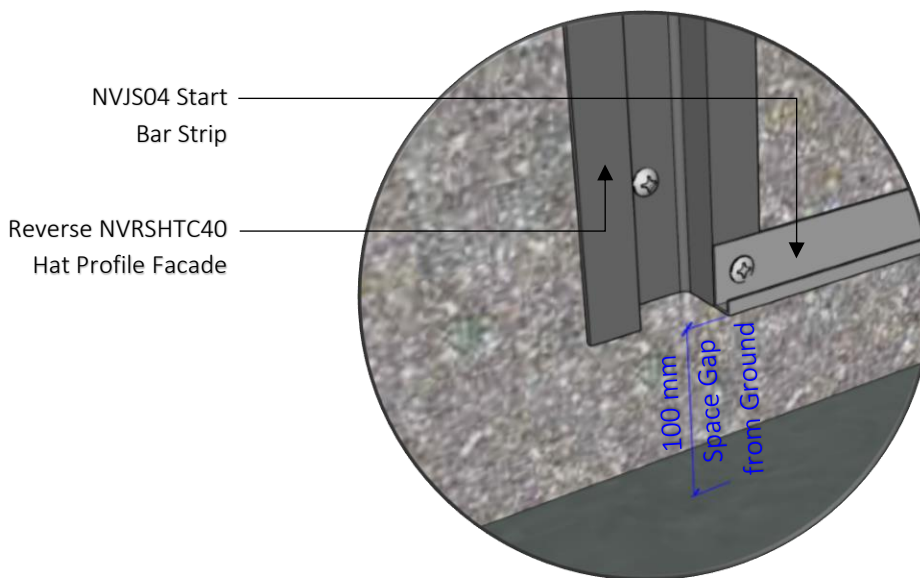
## SECTION 2 - Horizontal Panel Applications

### STEP 2.1

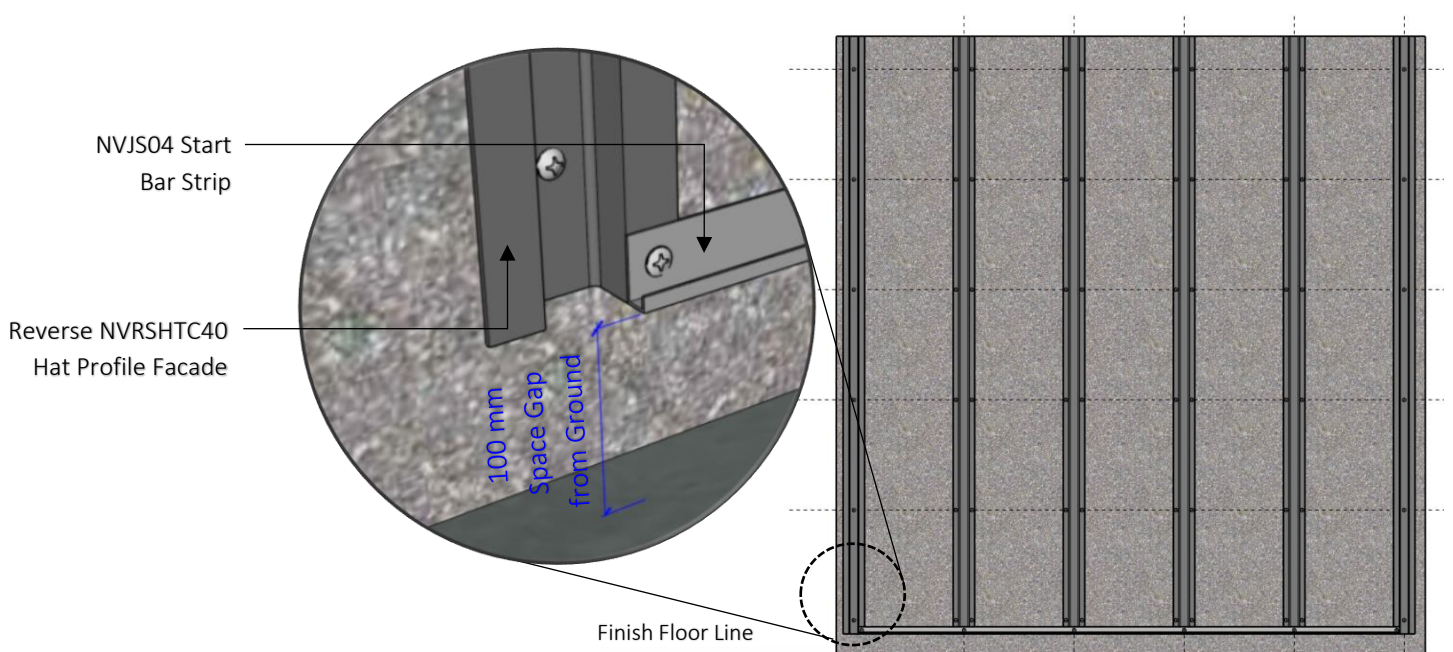
Pre apply all finishing molding panel accessories such as molding around corners, windows, and doors according to the pre plan layout and following the manufacture's recommendations. Ensure that all molding panel is level and square. Battens should be installed vertically.

### STEP 2.2

Aluminum start bar strip is required to install the Novano 6" Deco Profile panels. Attach the start bar at the bottom of the battens following the fastener and spacing recommendations in Section 1. The Novano 6" Deco Profile panels will hang 12mm below the bottom of the start bar strip therefore the starter bar strip should be attached accordingly per the pre plan layout.



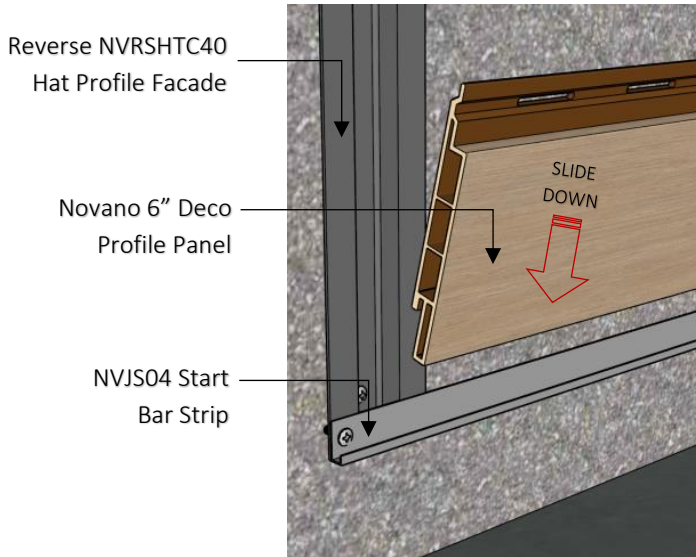
**ISOMETRIC DETAIL**  
NOVANO HORIZONTAL PANEL



**FRONT ELEVATION**  
NOVANO HORIZONTAL PANEL

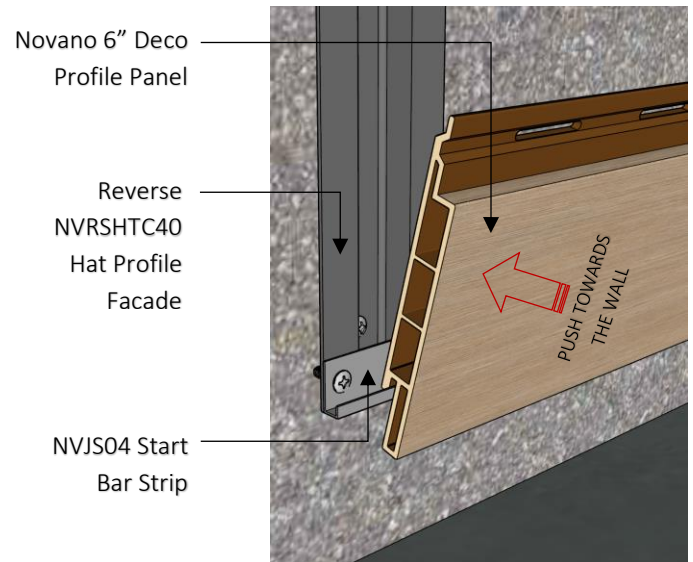
## STEP 2.3

Hook the groove end of the first panel into the starter bar strip.



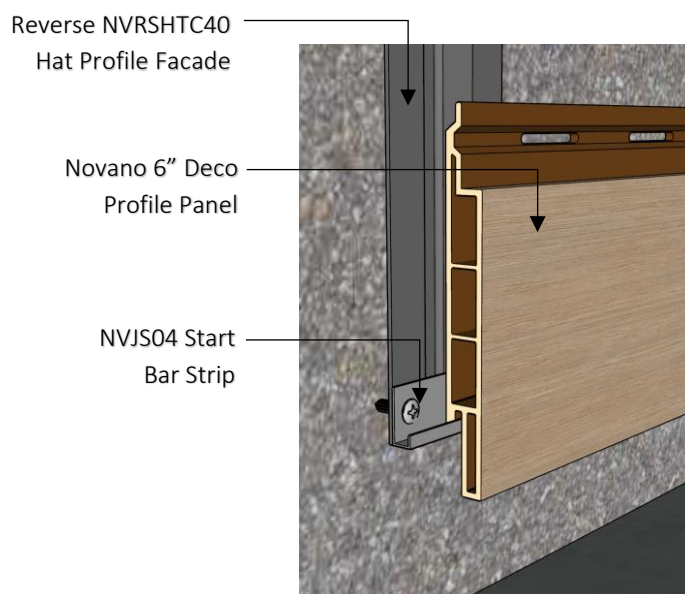
**DETAIL**  
NOVANO HORIZONTAL PANEL

**Step 1**  
Slide down the first Novano panel into starter bar strip.



**DETAIL**  
NOVANO HORIZONTAL PANEL

**Step 2**  
Hook the groove end of the first Novano panel into the starter bar strip with SS screw.

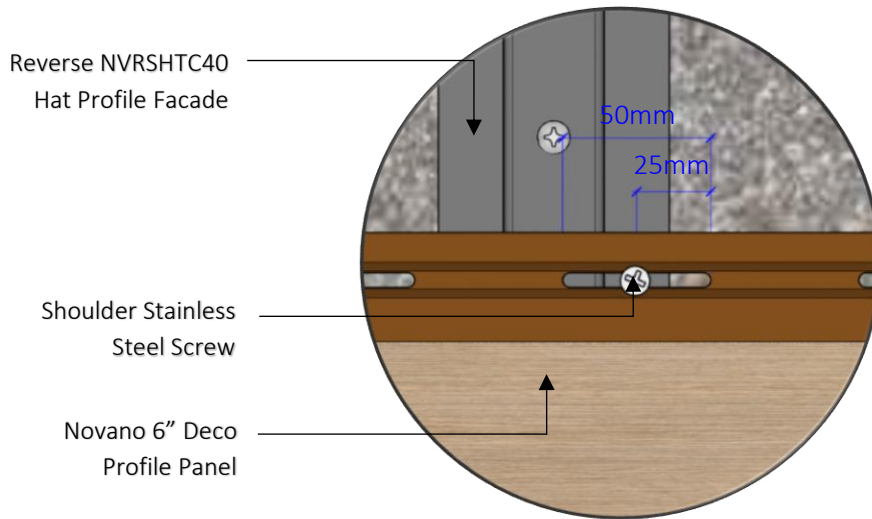


**DETAIL**  
NOVANO HORIZONTAL PANEL

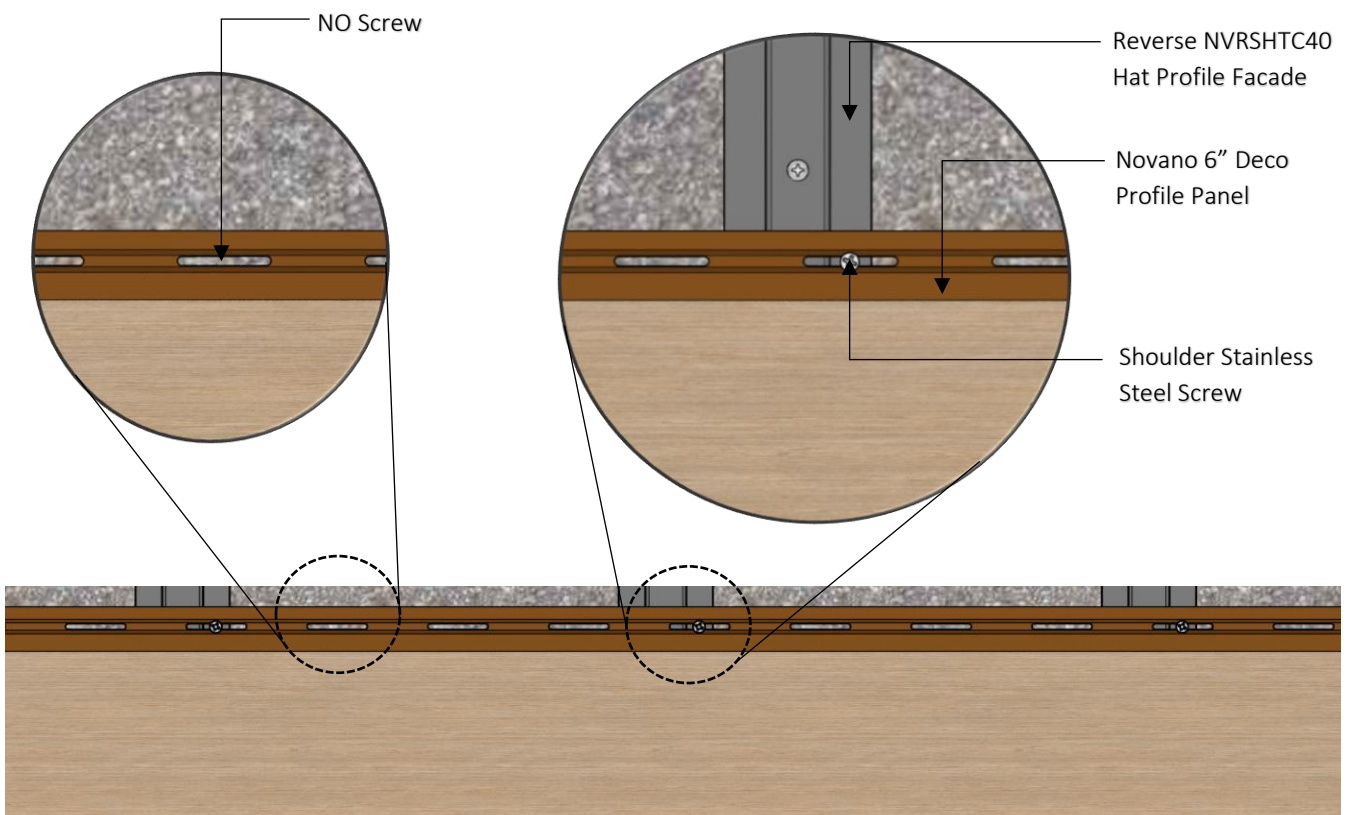
**Step 3**  
Push the Novano panel perpendicular into the runner and screw direct to the groove.

## STEP 2.4

Install screws into all slotted holes except the center hole. DO NOT over tighten the screws. The screws should be placed in the center of the slotted hole and loose enough to allow the panel to move freely from side to side to allow for expansion and contraction.



**FRONT DETAIL**  
NOVANO HORIZONTAL PANEL

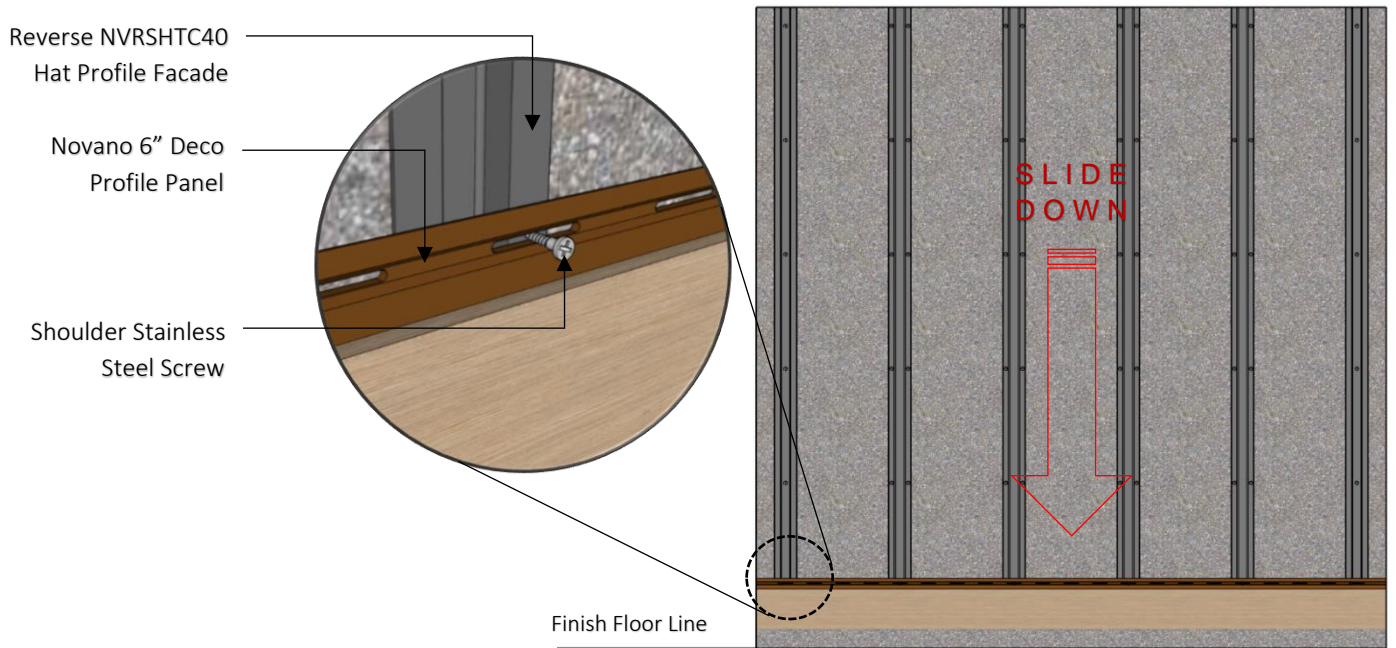


**FRONT ELEVATION**  
NOVANO HORIZONTAL PANEL



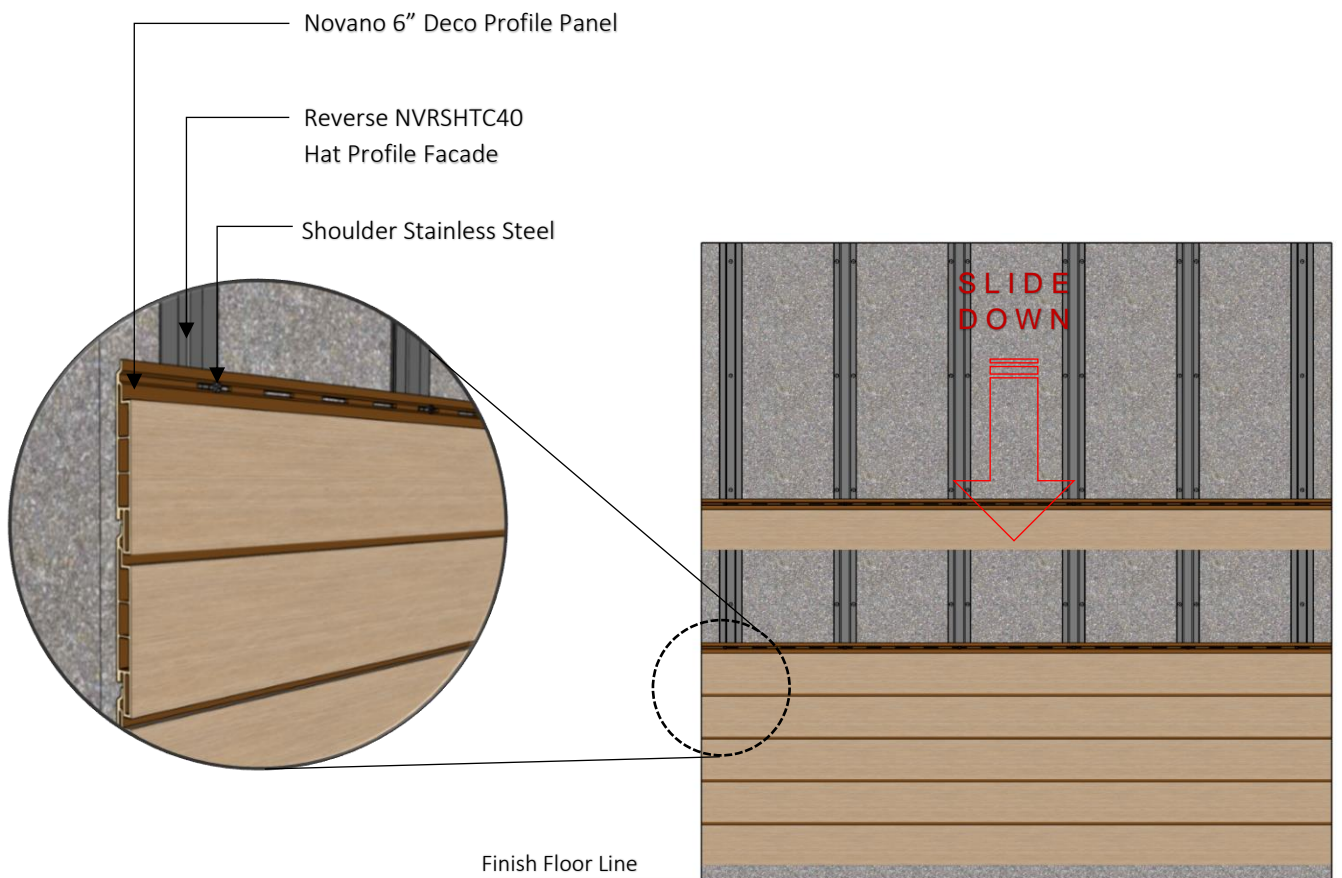
## STEP 2.5

Install the final two screw in the slotted hole in the center of the Novano 6" Deco Profile panel. This will allow for expansion and contraction evenly to each side of the assembly.



### FRONT ELEVATION

NOVANO HORIZONTAL PANEL



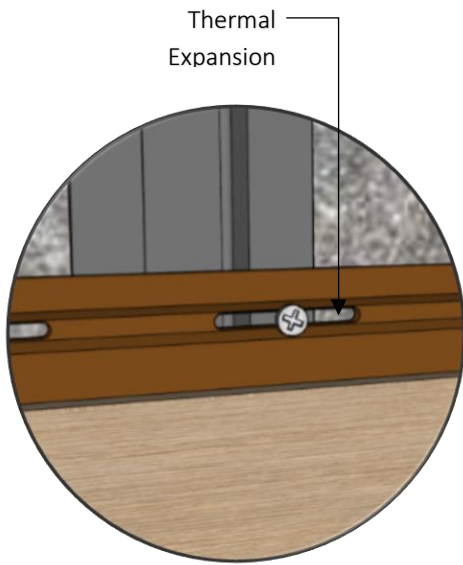
### FRONT ELEVATION

NOVANO HORIZONTAL PANEL



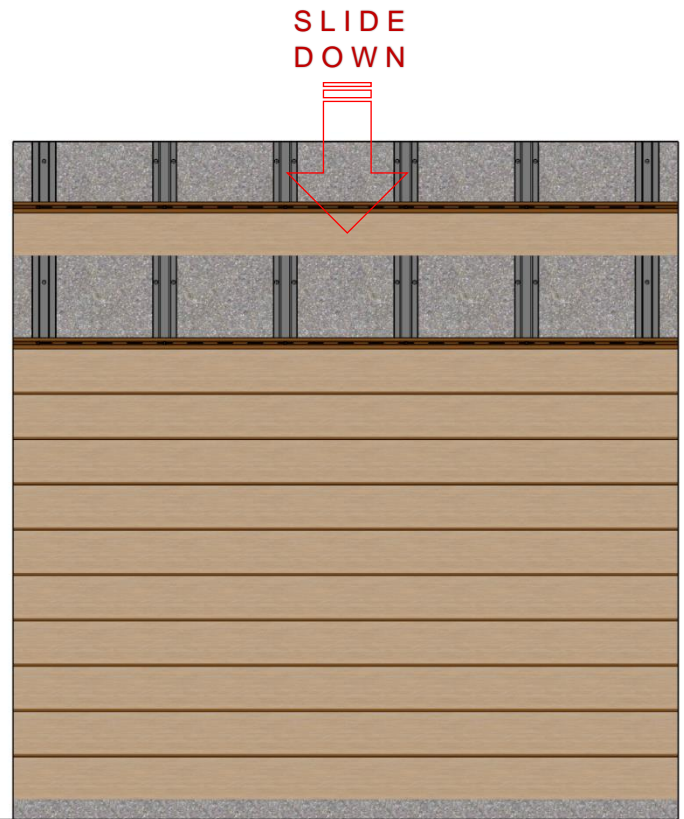
### STEP 2.6

Hook the groove end of the next panel onto the tongue of the installed deco panel.

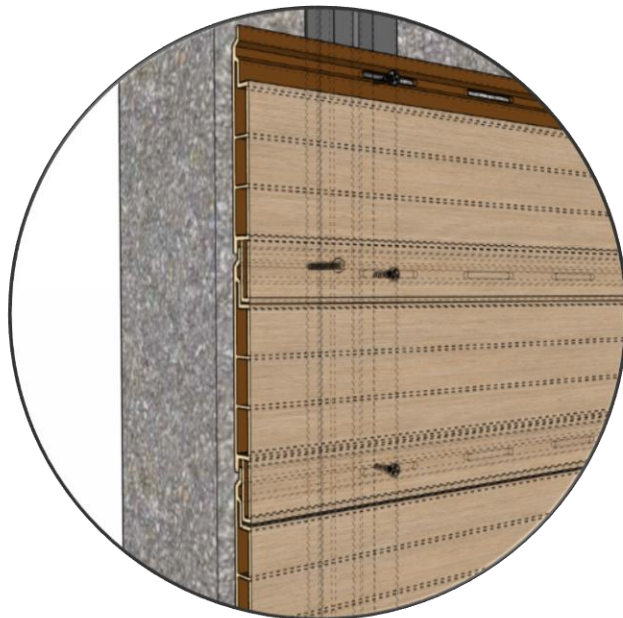


**ISOMETRIC DETAIL**  
NOVANO HORIZONTAL PANEL

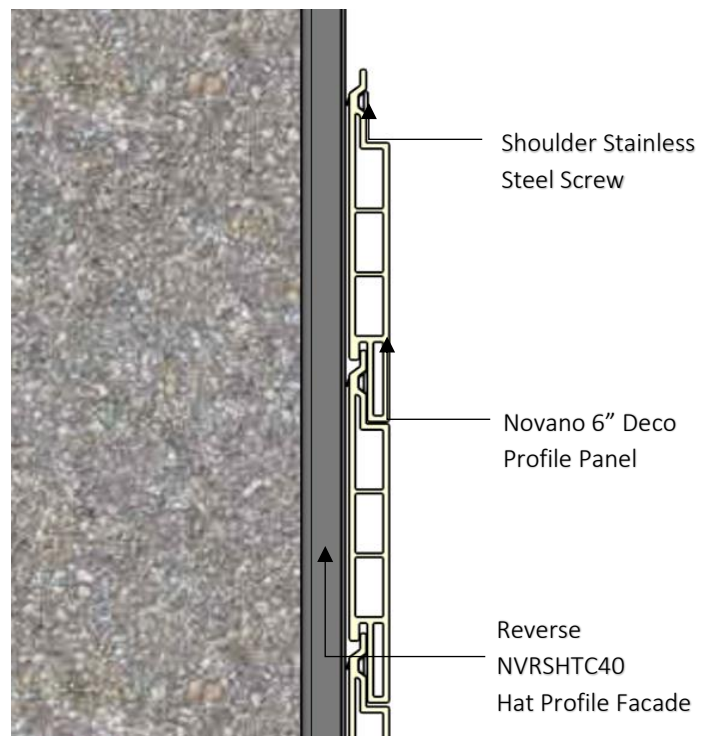
Finish Floor Line



**FRONT ELEVATION**  
NOVANO HORIZONTAL PANEL



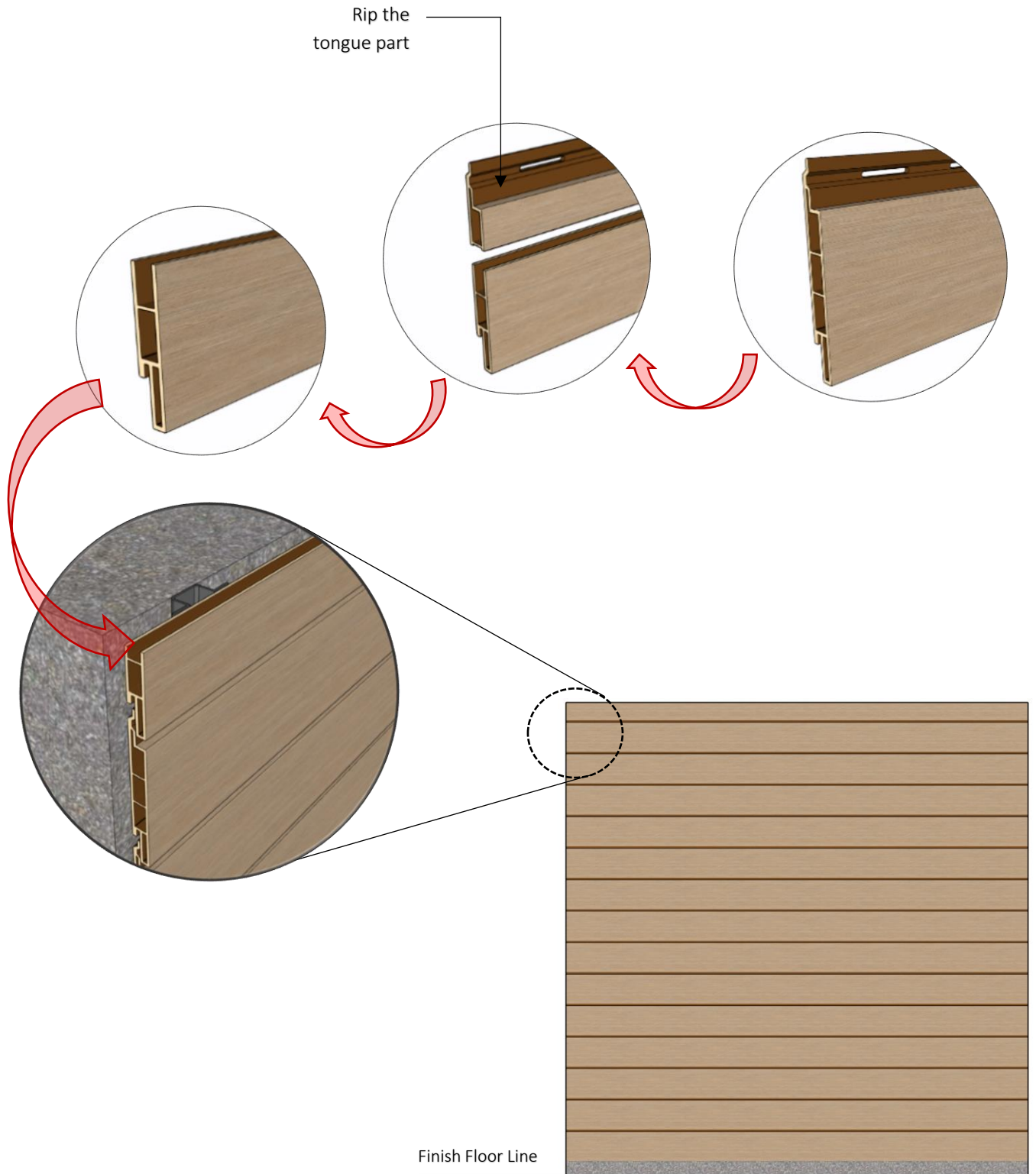
**ISOMETRIC DETAIL**  
NOVANO HORIZONTAL PANEL



**SECTION**  
NOVANO HORIZONTAL PANEL

## STEP 2.7

Continue installing the deco panel and rip last deco panel into size finished.

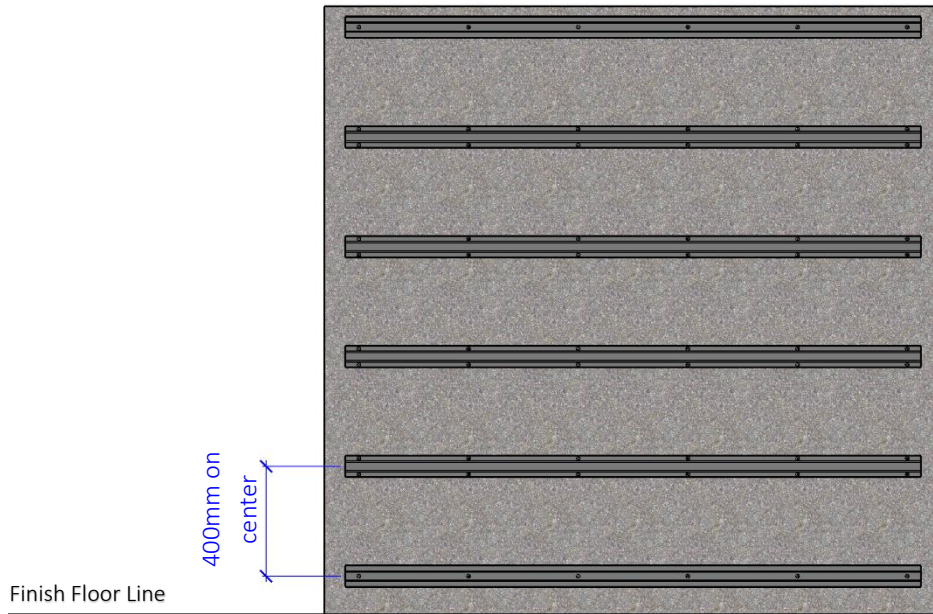


**FRONT ELEVATION**  
NOVANO HORIZONTAL PANEL

## SECTION 3 - Vertical Panel Applications

### STEP 3.1

Pre apply all finishing trim accessories such as trim around corners, windows, and doors according to the pre plan layout and following the manufacture’s recommendations. Ensure that all trim is level and square. Battens should be installed horizontally.

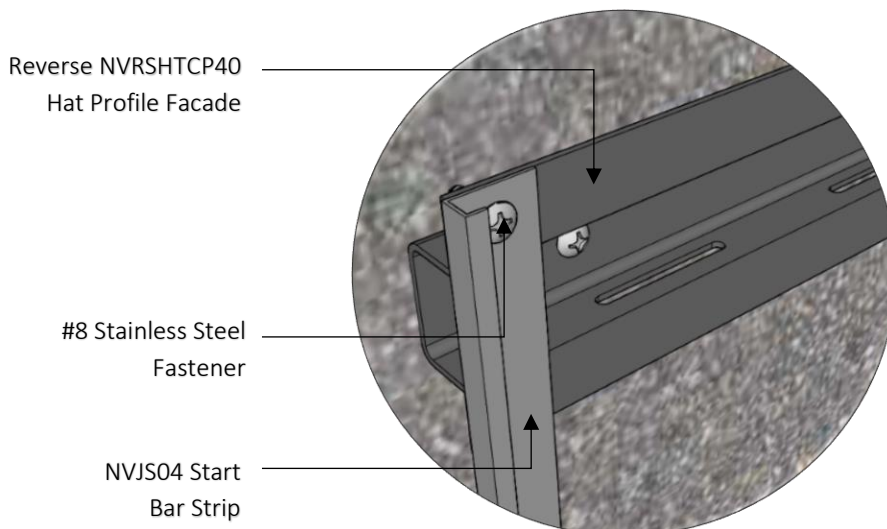


### FRONT ELEVATION

NOVANO VERTICAL PANEL

### STEP 3.2

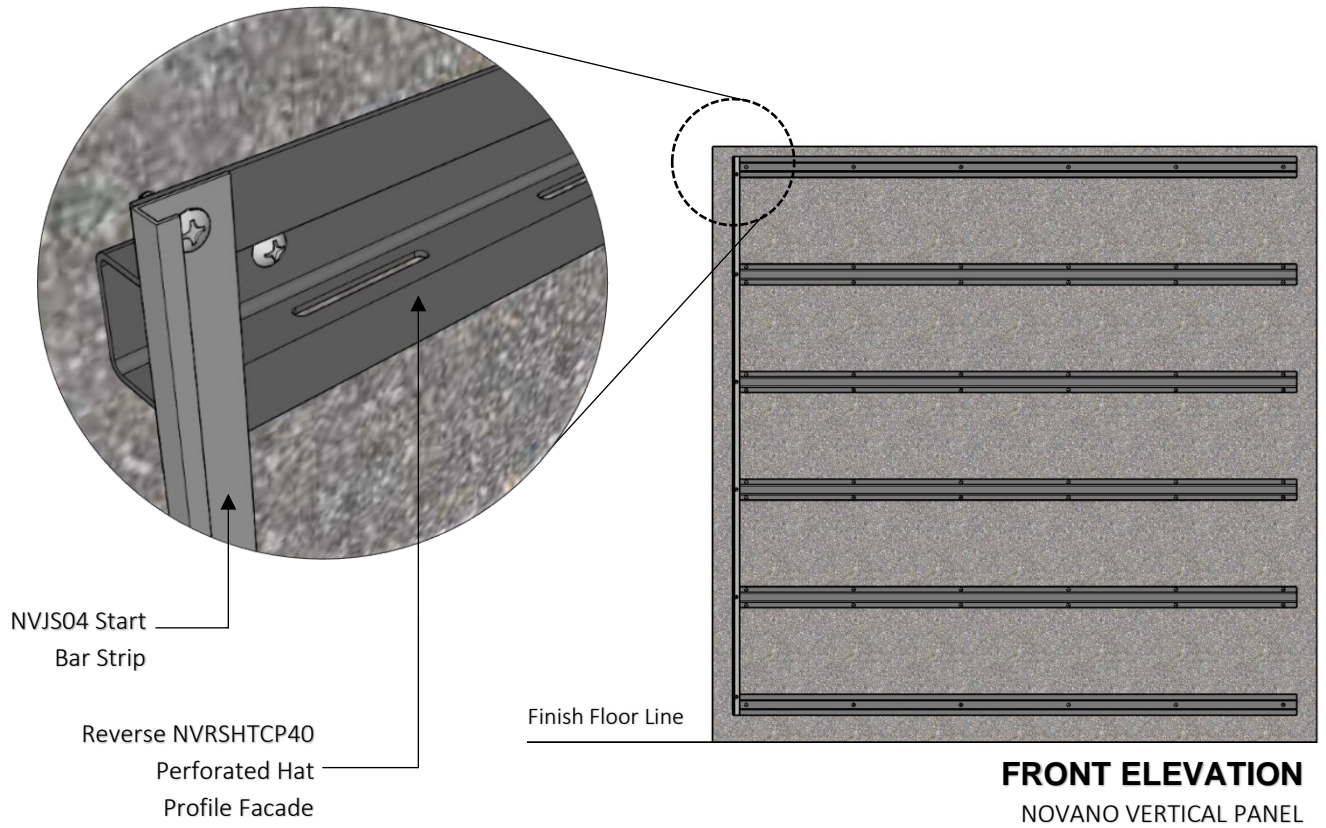
A starter bar strip is required to install the Novano 6” Deco profile panel. Attach the starter bar strip vertically at one end of the batten substructure following the fastener and spacing recommendations in Section 2. The Novano 6” Deco profile panel will hang 12mm beyond the starter bar strip therefore the starter bar strip should be attached accordingly per the pre plan layout. If the deco panel is starting in a corner the corner attachment and the starter bar strip should be attached at the same time.



### ISOMETRIC DETAIL

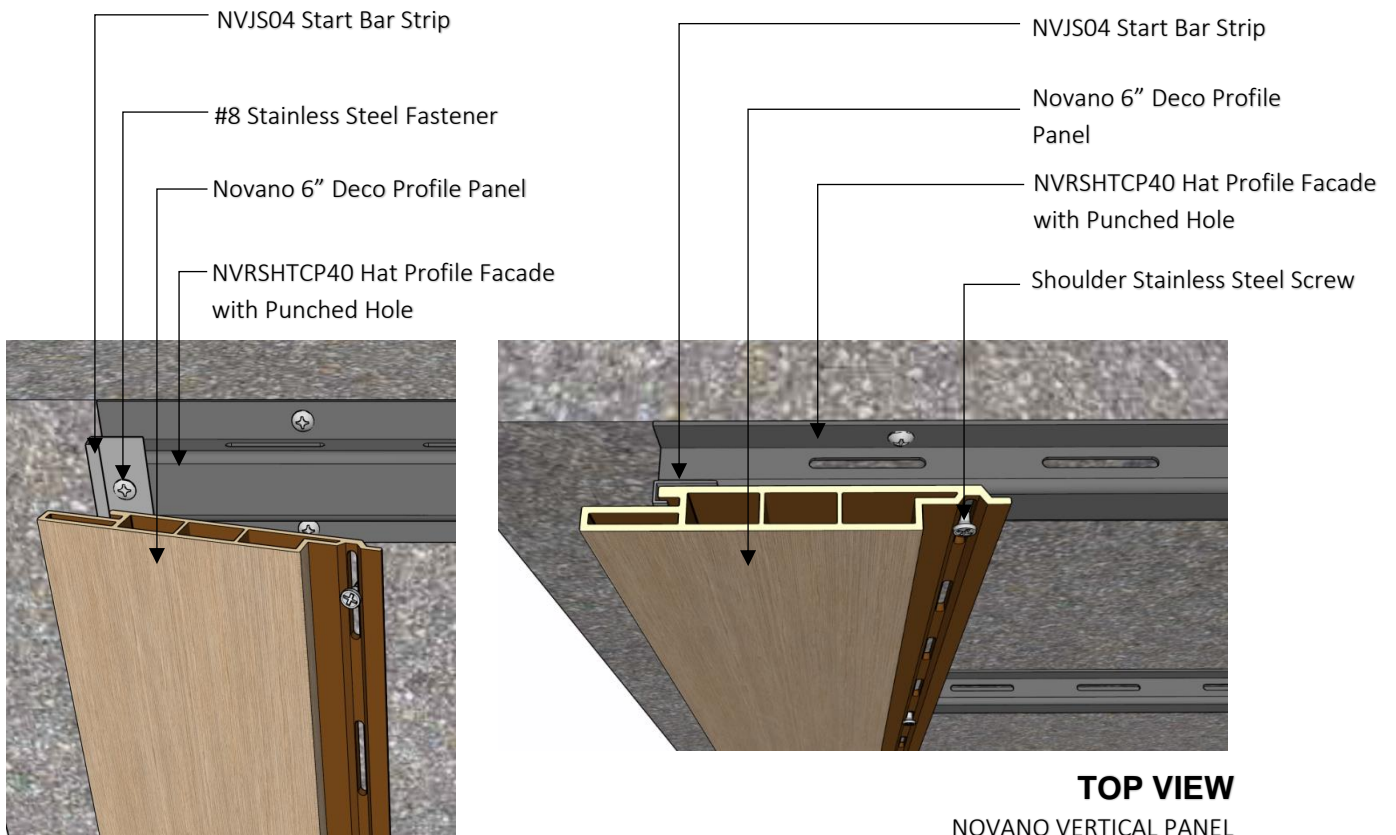
NOVANO VERTICAL PANEL





### STEP 3.3

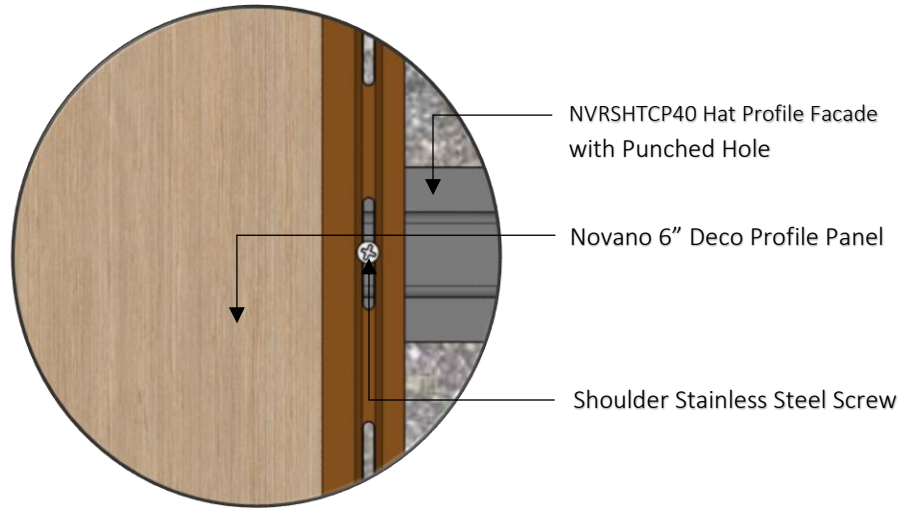
Hook the groove end of the first deco panel into the starter bar strip.





### STEP 3.4

Install shoulder stainless steel screw or a #8 screw into the slotted hole at the top of the deco panel. DO NOT over tighten this screw. This screw should be placed at the top of the slotted hole and loose enough to allow the panel to move freely in the vertical direction allowing for expansion and contraction.

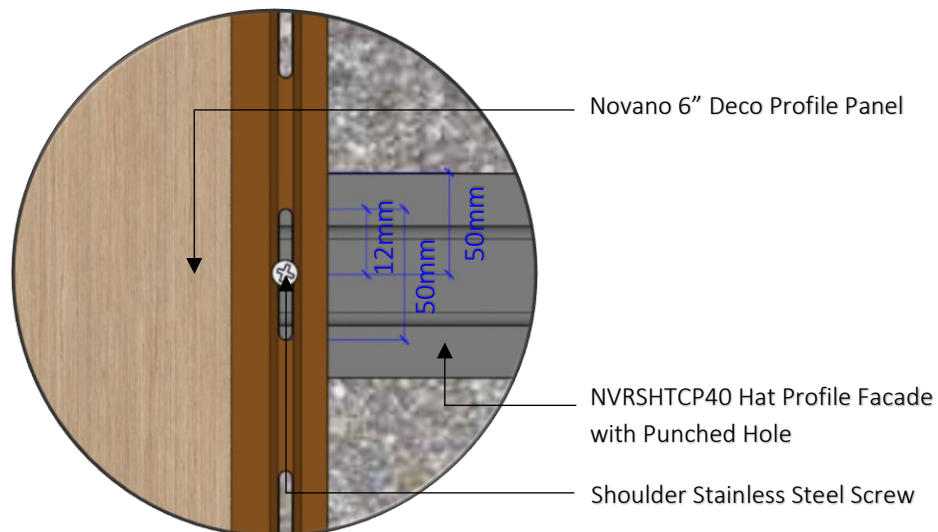


#### FRONT ELEVATION

NOVANO VERTICAL PANEL

### STEP 3.5

Install shoulder stainless steel screw or #8 screws into the remaining slotted holes. DO NOT over tighten the screws. These screws should be placed in the center of the slotted hole and loose enough to allow the panel to move freely in the vertical direction allowing for expansion and contraction.



#### FRONT ELEVATION

NOVANO VERTICAL PANEL

#### **Special Requirement**

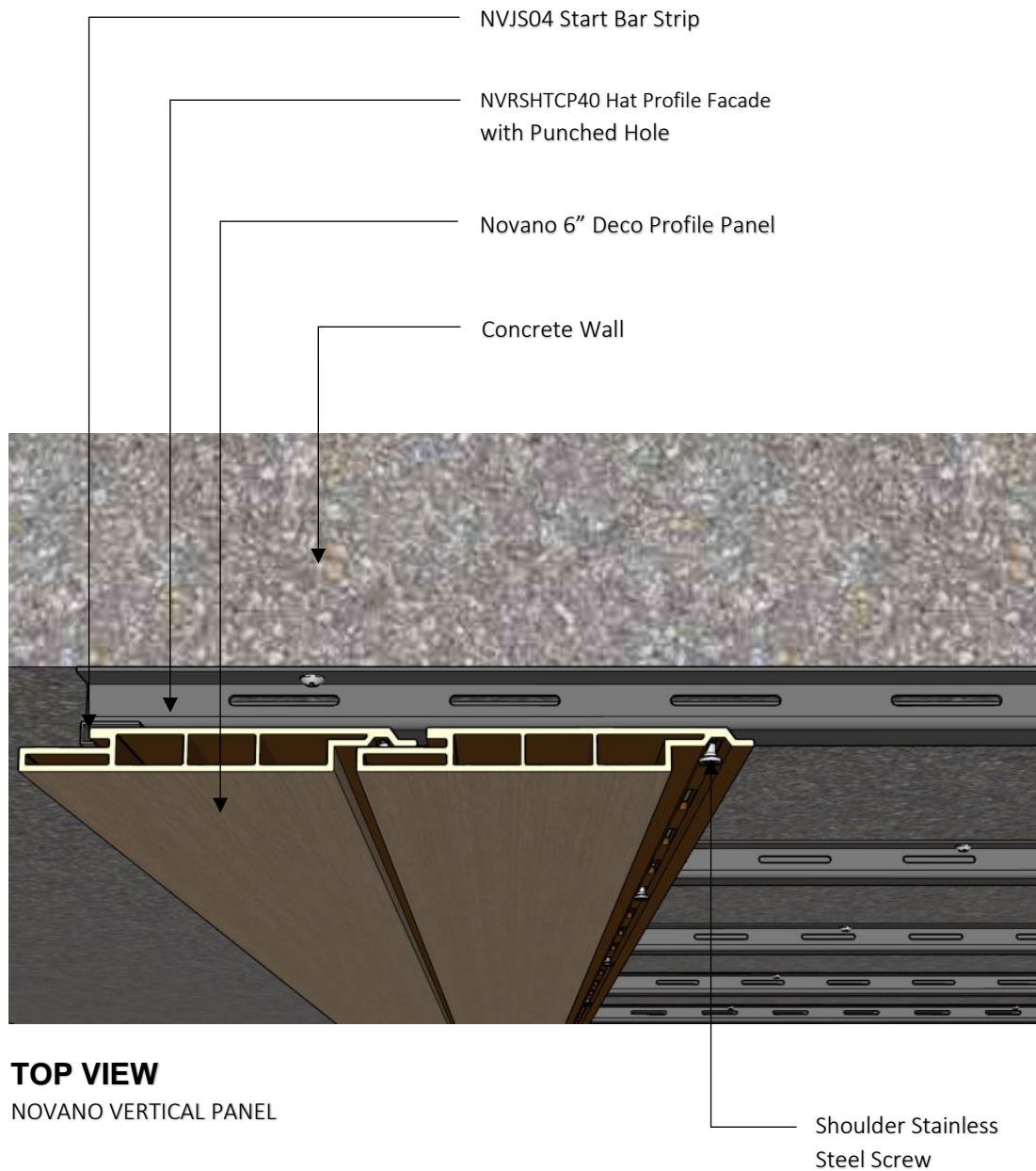
*By following these installation guides for vertical installation methods ALL expansion and contraction will happen at the bottom of the panel. Gap the bottom of the deco panel properly based on installation needs.*

### STEP 3.6

Hook the groove end of the next panel onto the tongue of the installed deco panel.

### STEP 3.7

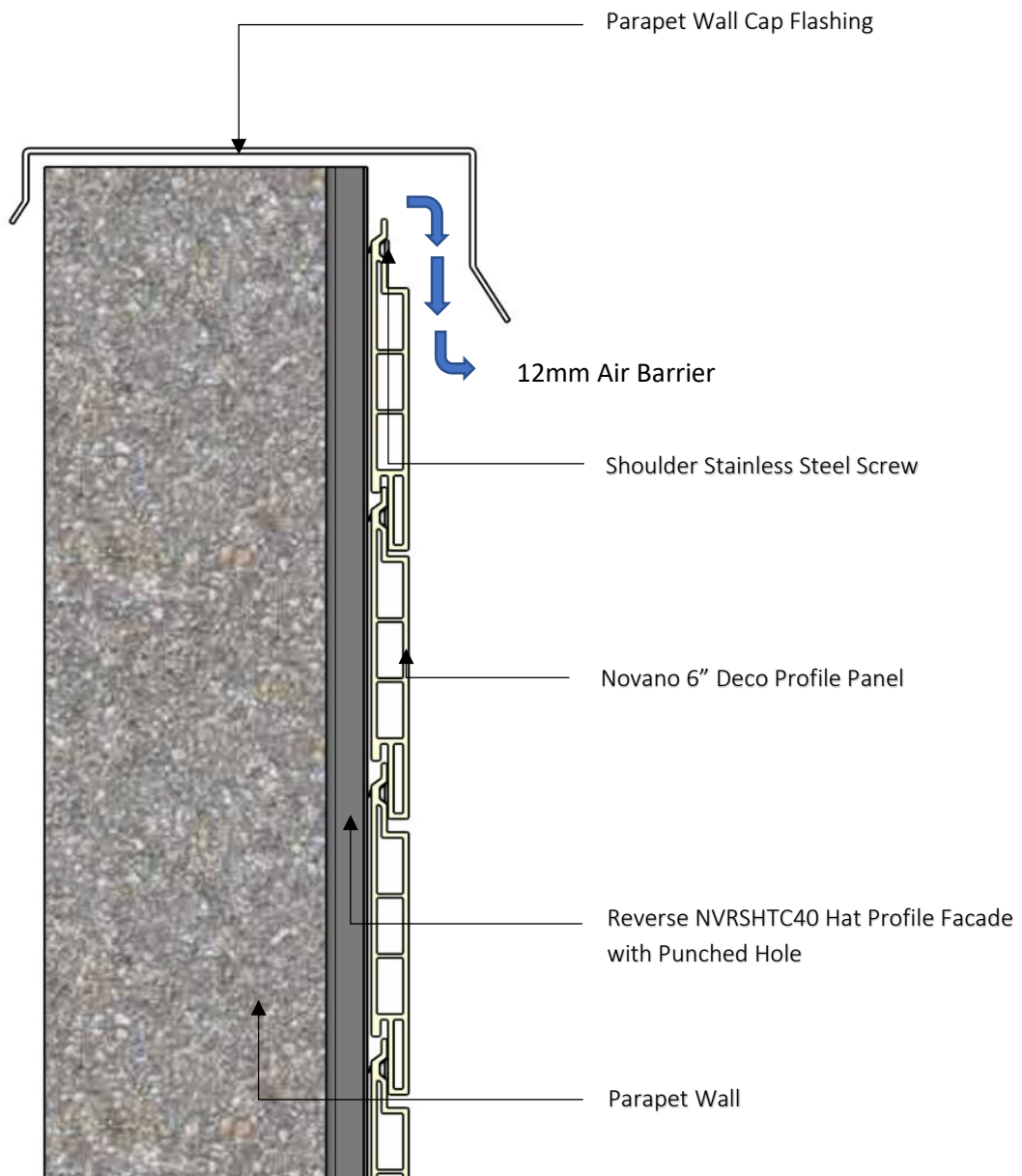
Continue installing deco panel as outlined in Section 5 until siding is finished.



## SECTION 4 - Air Barrier – Requirements

For all of the installation options it is crucial to allow the uninterrupted flow of air from the bottom to the top of the wall system. This creates a chimney effect which provides not only moisture wicking but also cooling behind the Novano 6” Deco profile panel.

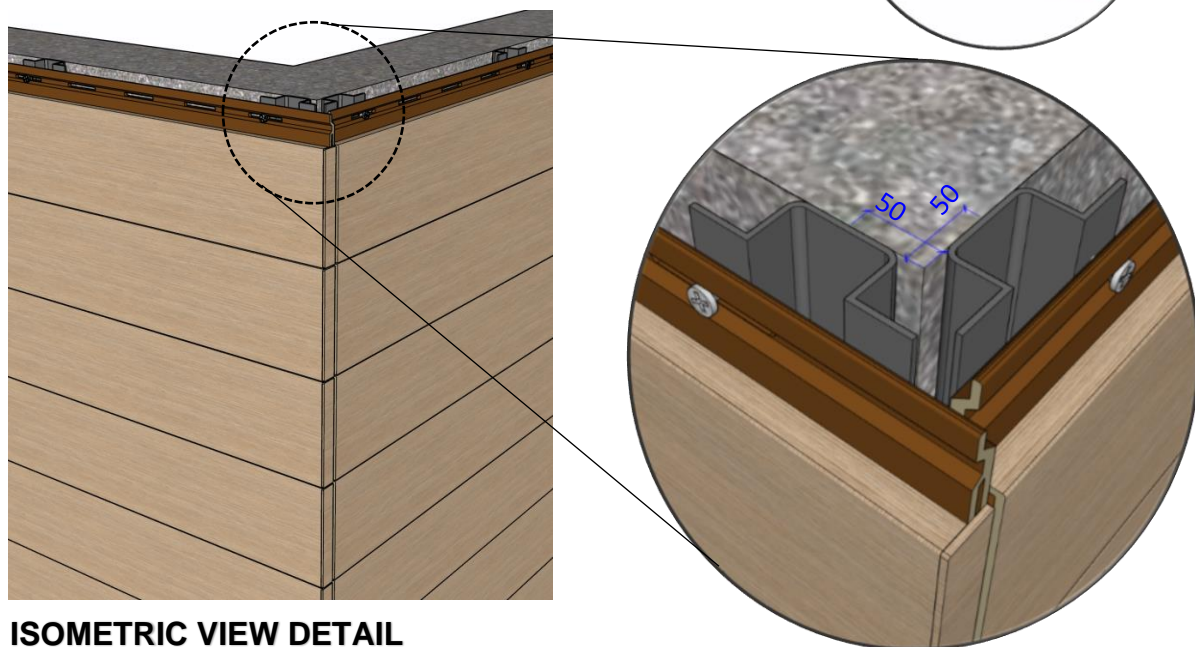
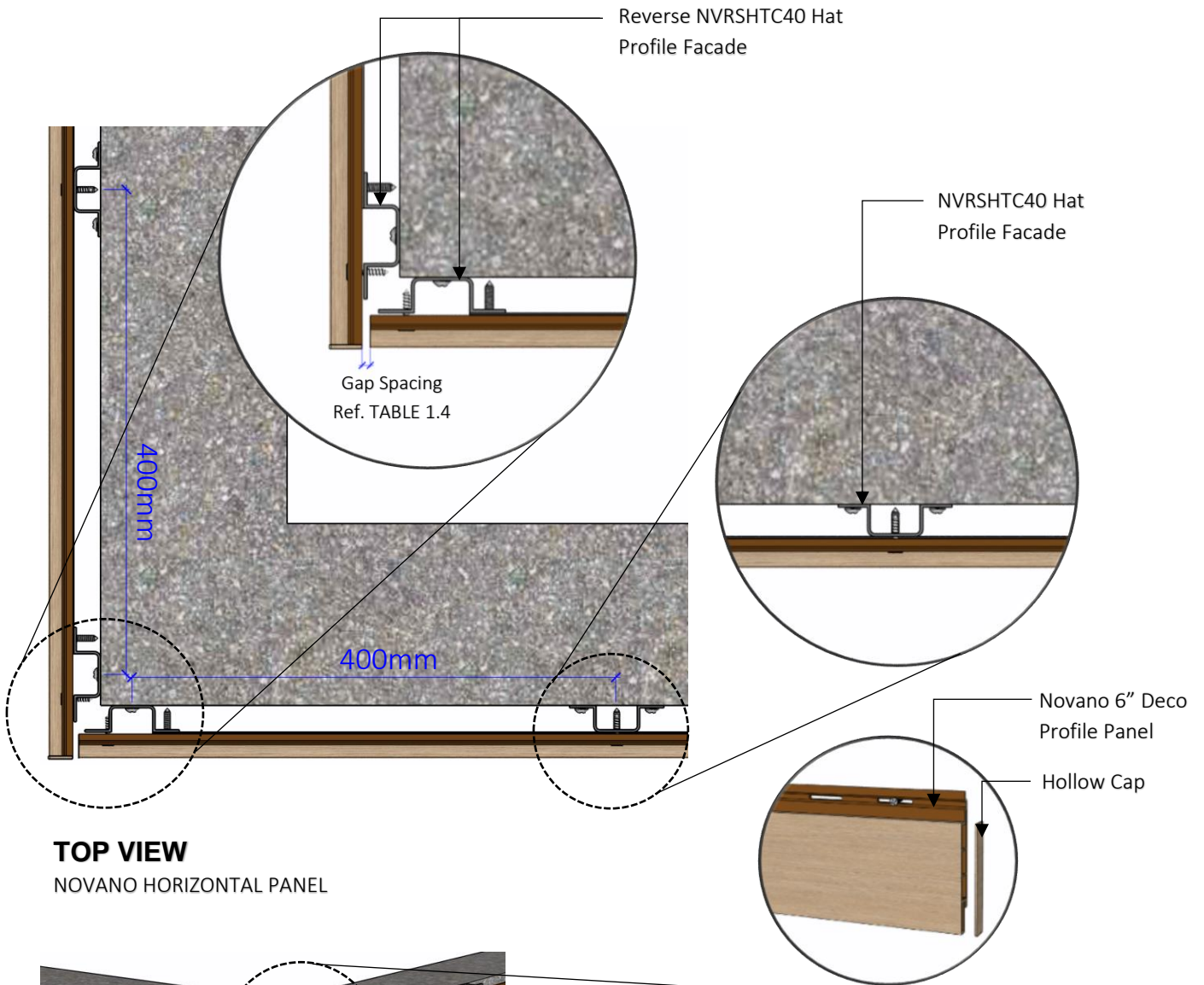
Air flow must be able to release at the top of the construction. For that reason, a 12mm gap between the top of the Novano 6” Deco profile panel and the Parapet Wall Cap Flashing is necessary. The same size gap is needed between the face of the Novano 6” Deco profile panel and the Parapet Wall Cap Flashing. This should also be followed when using the J channel at the top of the wall.



**SECTION DETAIL**  
NOVANO HORIZONTAL PANEL

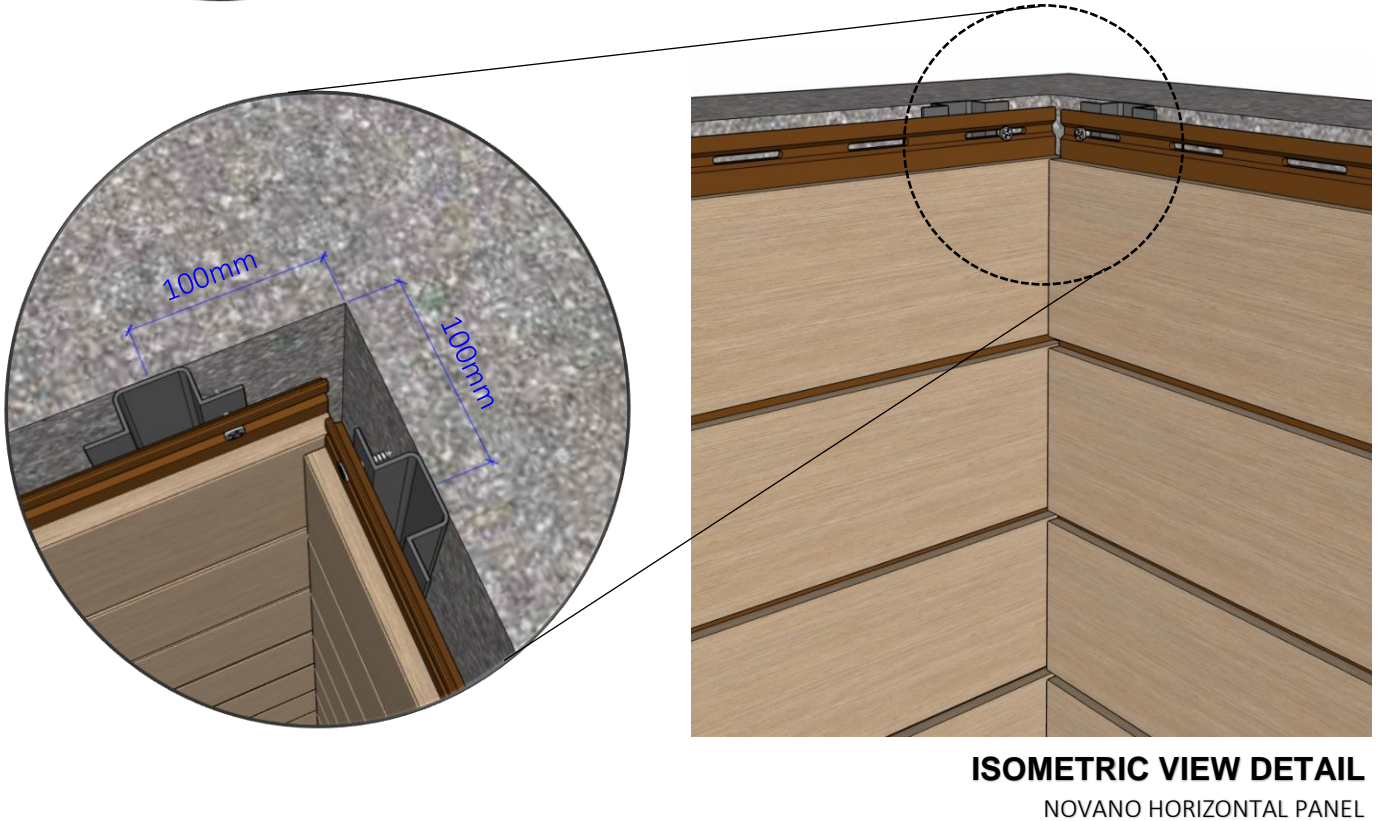
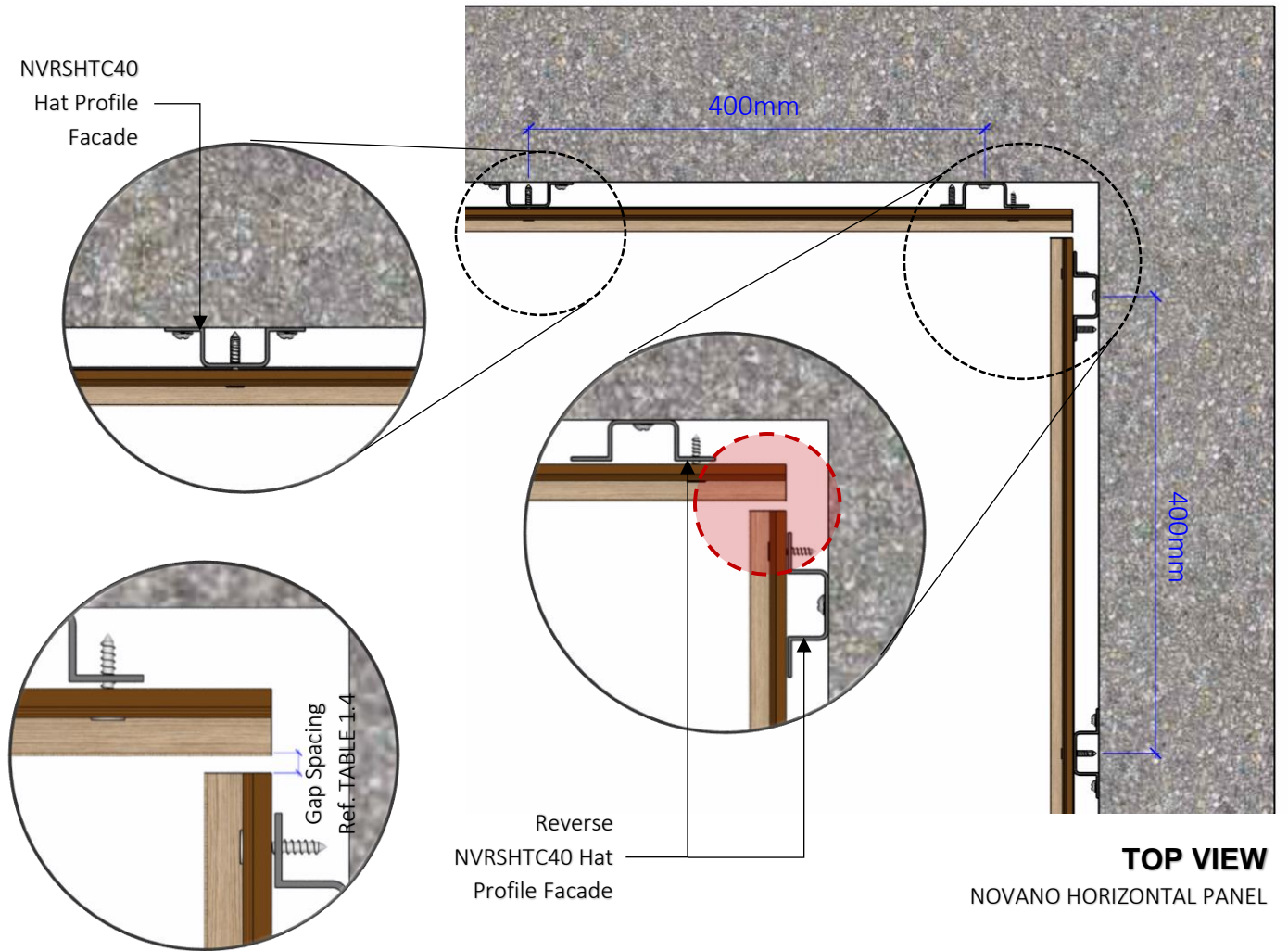
**SECTION 5 - Finishing Corners**

**HORIZONTAL BUTT JOINT OUTSIDE CORNER**

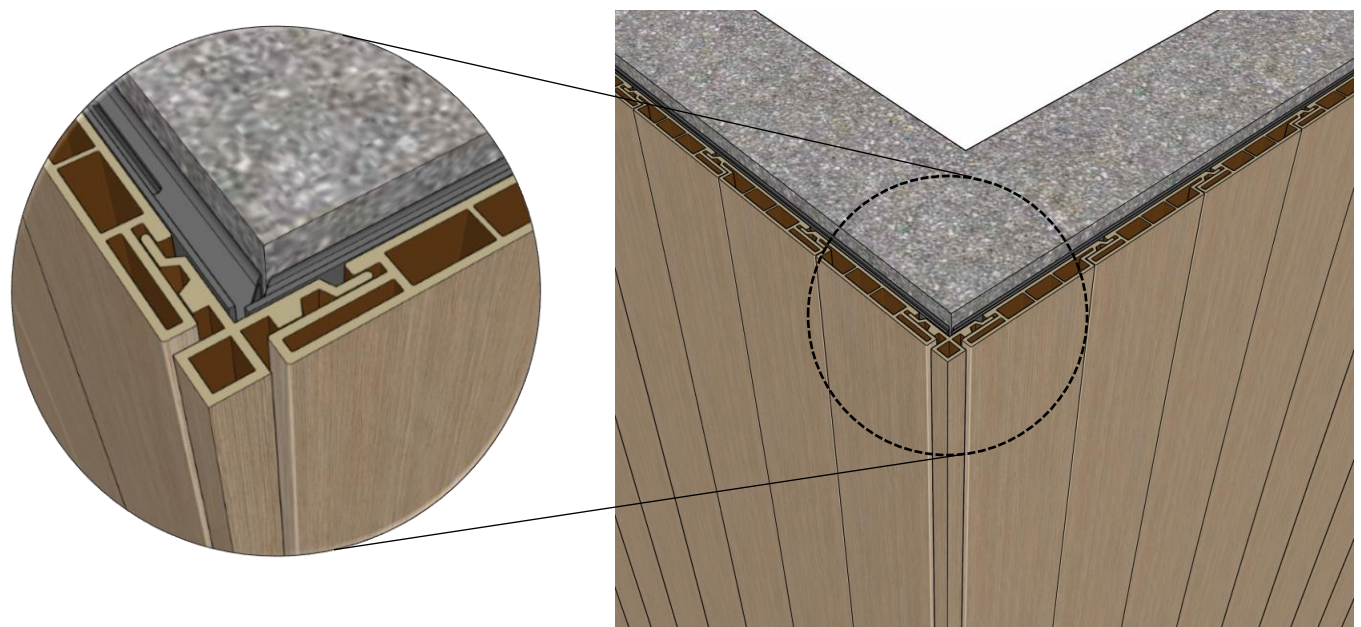
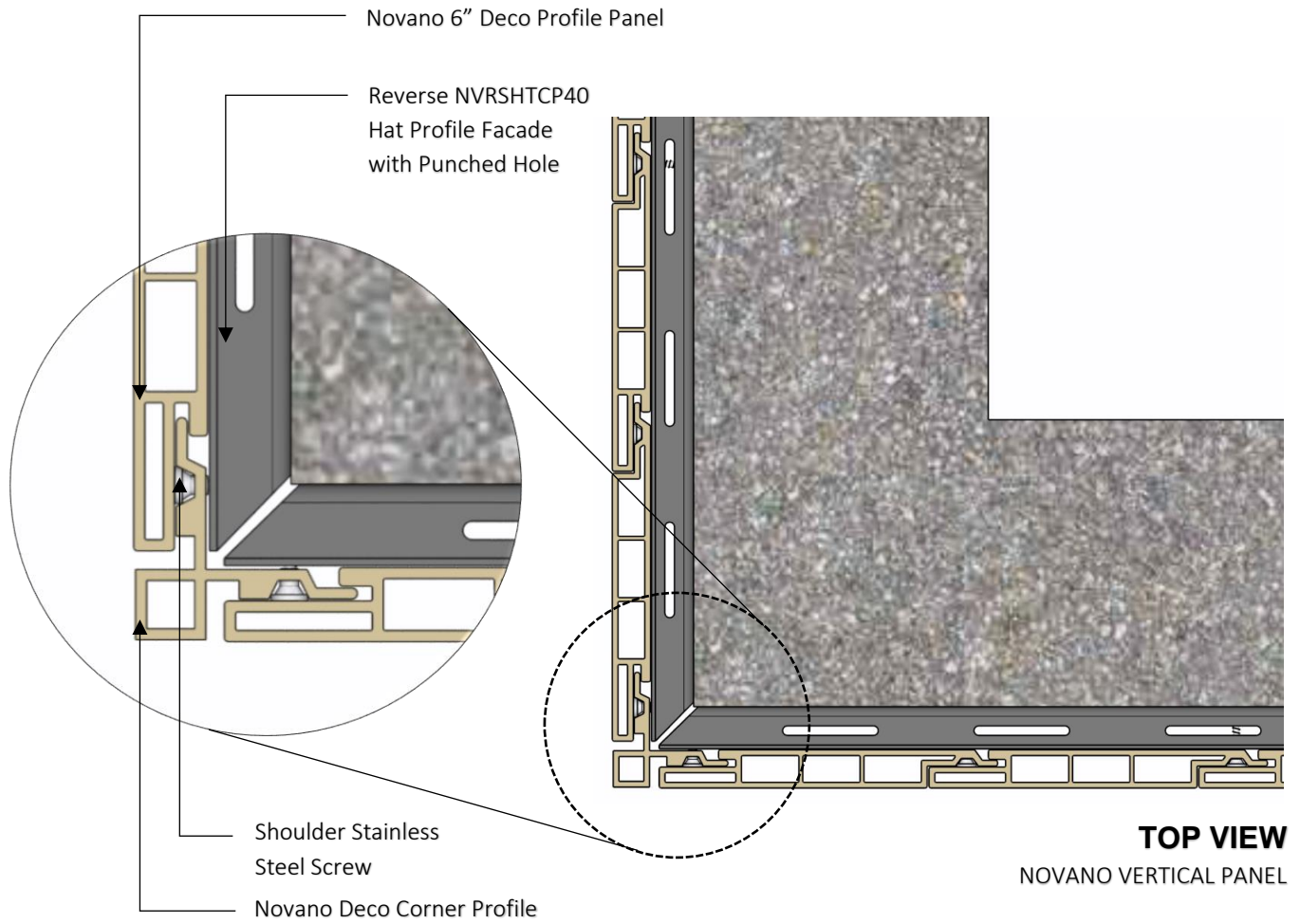




## HORIZONTAL BUTT JOINT INSIDE CORNER



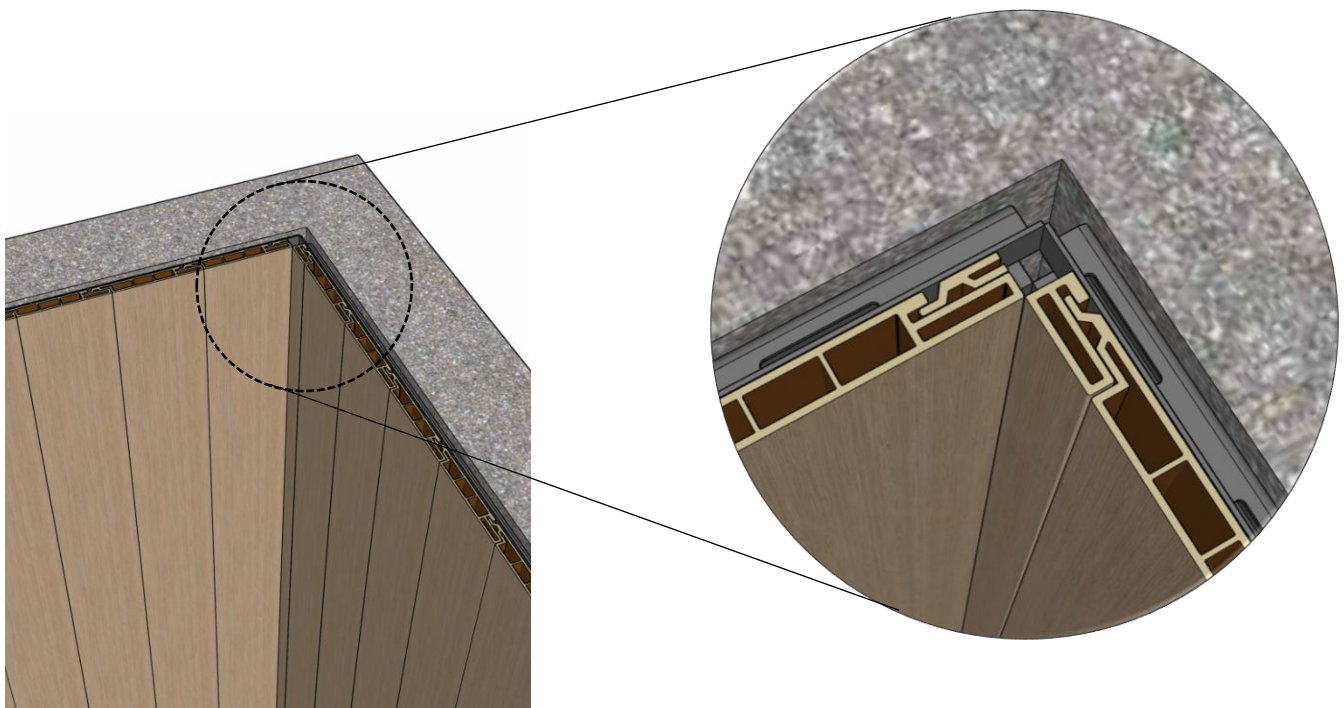
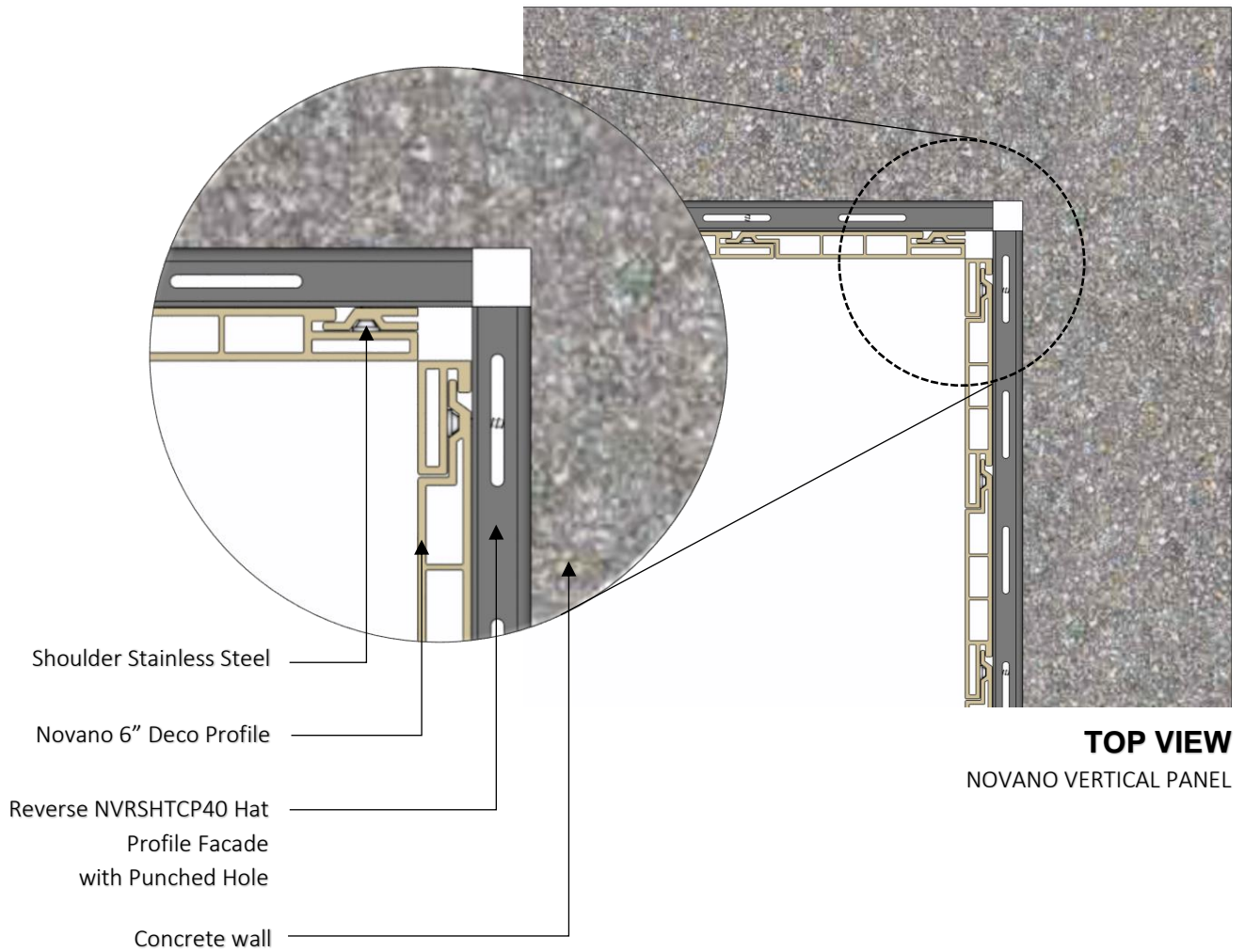
## VERTICAL OUTSIDE CORNER



**ISOMETRIC VIEW DETAIL**  
NOVANO VERTICAL PANEL



## VERTICAL INSIDE CORNER



### ISOMETRIC VIEW DETAIL

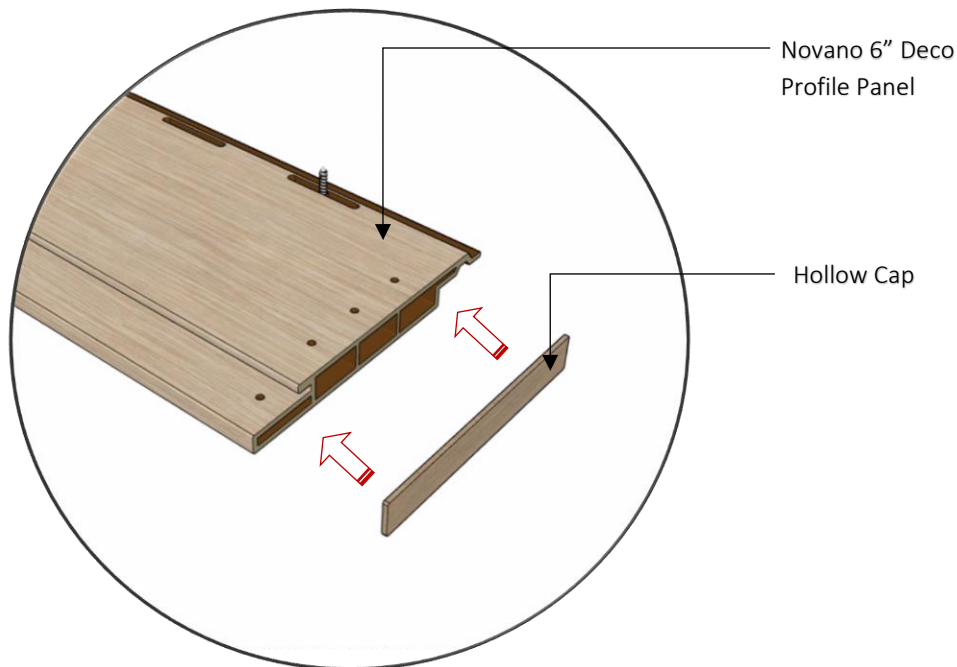
NOVANO VERTICAL PANEL



## HOLLOW CAP

Be sure that all surfaces are clean and free of debris such as dust, dirt, oils and paints. Remove adhesive strip cover film. Center Hollow Cap on the end of the plank and apply with firm pressure all around the center supports.

In the event that you will apply Hollow Cap on both ends of plank you must supply a vent hole in the back of each channel, I.E. drill a 3mm hole in the back of the plank where it will not be viewed. For the four channel Deco profile you must drill 4 holes - one in each channel. This will allow any heat to be released preventing bulging of the cap on the hollow channel profiles.





## SECTION 6 - Primer and Stain System

Novano recommends using approved water-based stain and sealant system.

### 3. Product inquiries and inquiries

If you are not familiar with the processing of the product or have any questions, please contact:

[info@novano-resysta.de](mailto:info@novano-resysta.de)